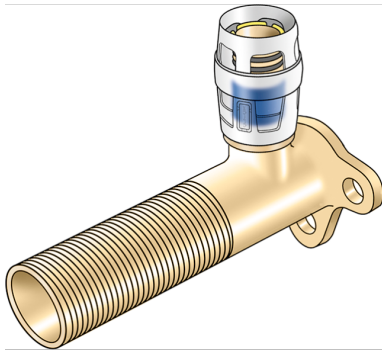


# KELOX

KMP481X KELOX-PROTEC CLIX wall bracket fitting 90° with male thread 50mm 16x1/2"x50

730256B02

## Areas of application



Plug-in wall bracket fitting with 50 mm male thread, made of dezincification-resistant (DZR) brass, incl. push-on sleeve made of transparent polyamide push-on sleeve with insertion click noise, as well as haptic and optical insertion indicator, O-rings, withdrawal barriers and a protector ring as an insertion locking device

Overall height: 1/2" - 80mm

## Approvals:



# Specifications

## Technical properties

**maximum working pressure at 20 ° C** 10 bar

## Product information

**VPE1** 10,00 SA1

**VPE2** 60,00 KT1

**weight** 0,171 KGM

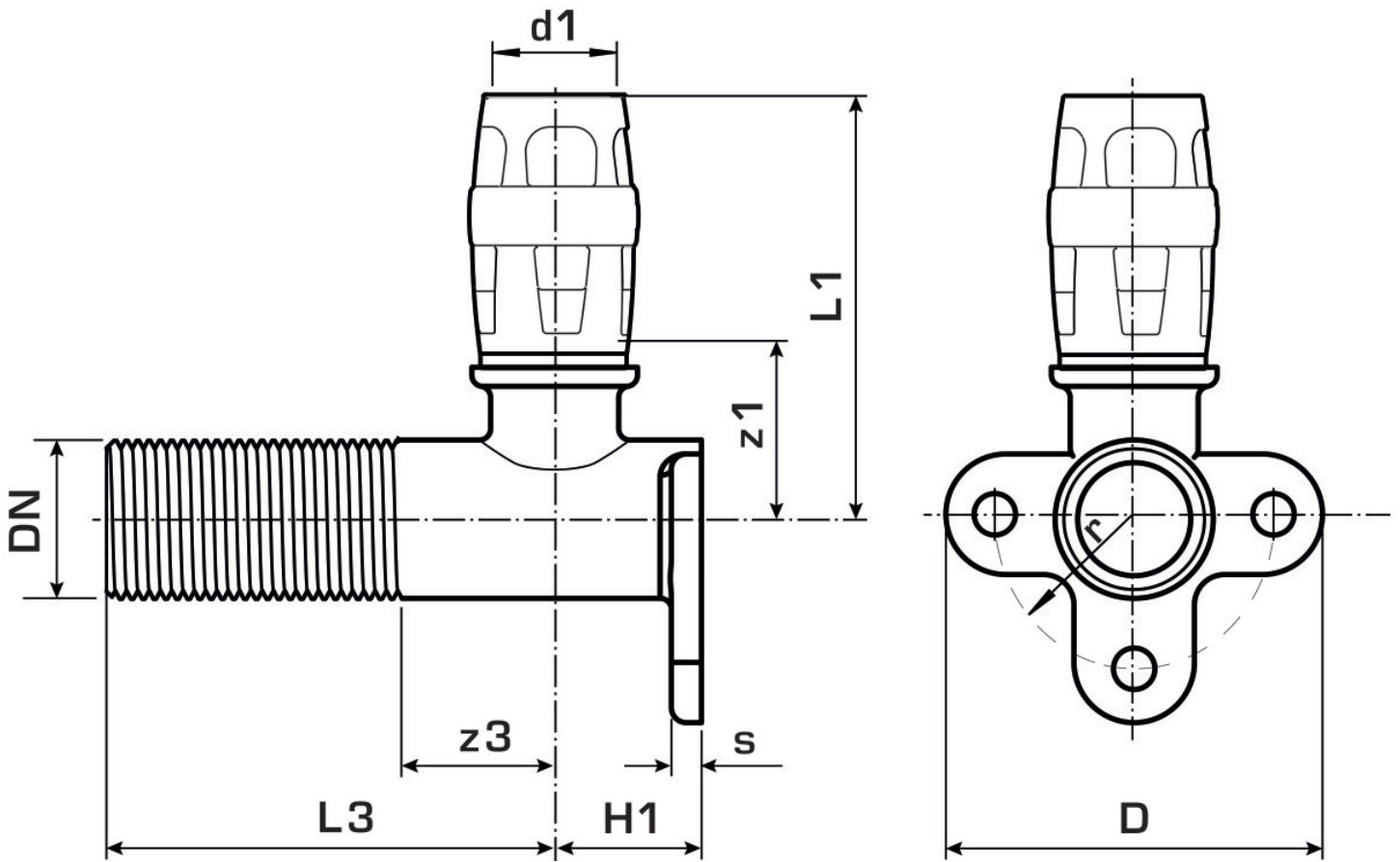
**text** KELOX-PROTEC CLIX wall bracket fitting 90° with male thread 50mm

**INTRNR** 74122000

**main material group** KELOX

**material group** KELOX-PROtec pushfittings

**code** KMP481X



Art. No	label	d1 mm	L1 mm	L3 mm	z1 mm	z3 mm
730256B02	16x1/2"x50	16	60	60	26	10