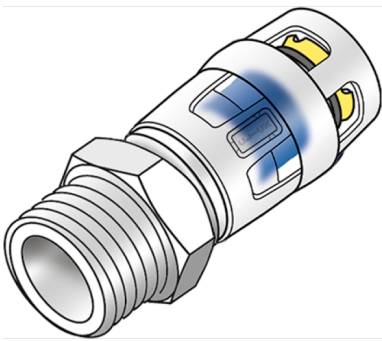


KELOX

KWP450X KELOX-PROTEC CLIX PPSU adapter with male thread 16x1/2"

730702B02

Areas of application



Plug-in adapter with male thread for sealing with hemp, made of PPSU, incl. push-on sleeve made of transparent polyamide with insertion click noise, as well as haptic and optical insertion indicator, O-rings, withdrawal barriers and protector ring as insertion locking device

DO NOT use liquid sealants or thread sealing tape!

Approvals:



Specifications

Article information

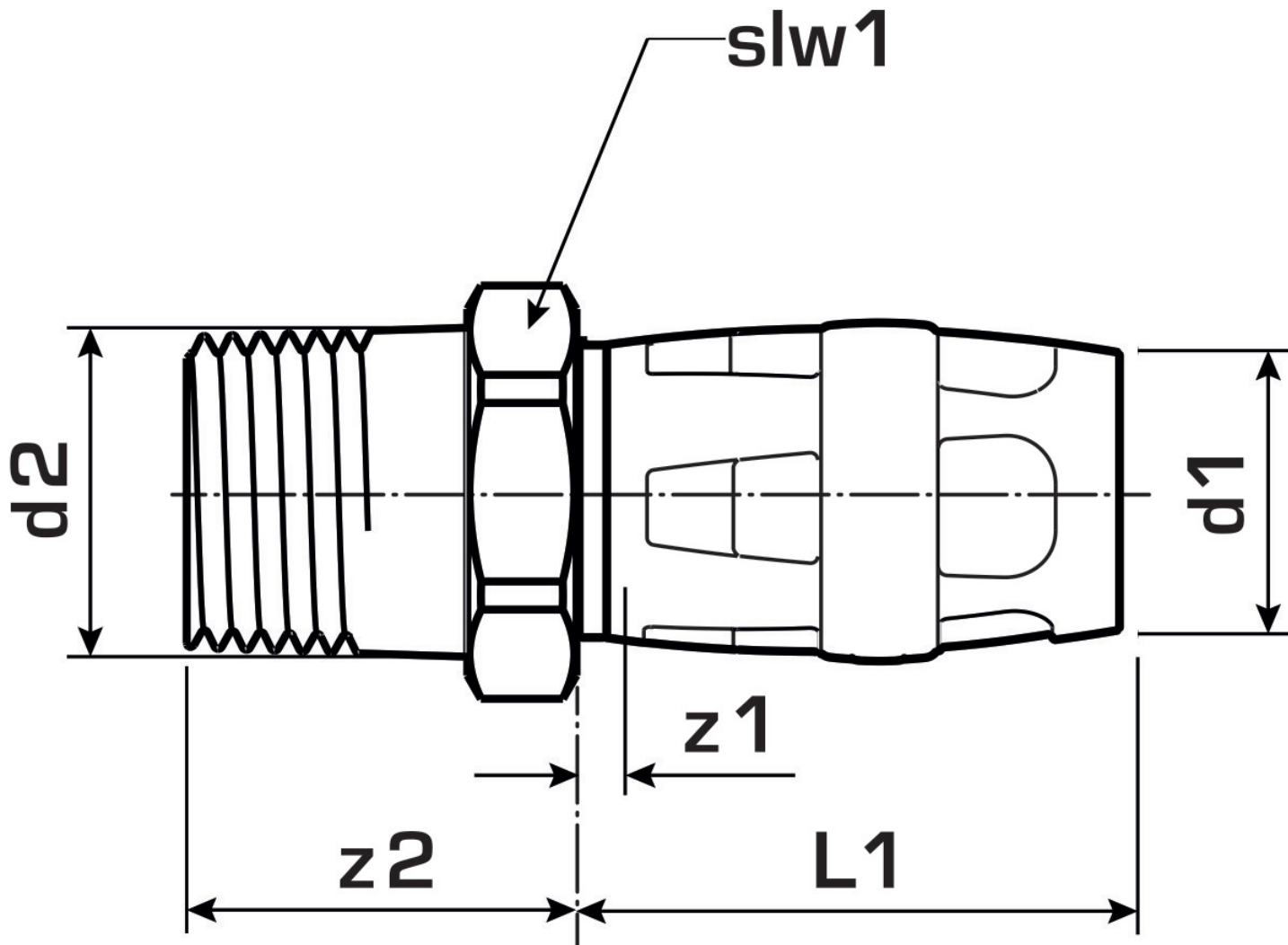
port 1	Plug-in
port 2	Außengewinde konisch (NPT)
execution	Miscellaneous
design	Straight

Technical properties

maximum working pressure at 20 ° C	10 bar
------------------------------------	--------

Product information

VPE1	10,00 SA1
VPE2	180,00 KT1
weight	0,022 KGM
text	KELOX-PROTEC CLIX PPSU adapter with male thread
INTRNR	39174000
main material group	KELOX
material group	KELOX-PROtec-PPSU pushfittings
code	KWP450X



Art. No	label	d2 Inches	d1 mm	L1 mm	z1 mm	z2 mm	slw1 mm
730702B02	16x1/2"	1/2" (15)	16	28	3	33	24