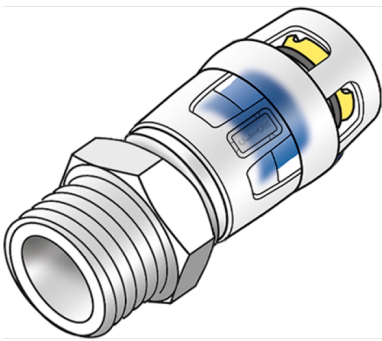


KELOX

KWP450X KELOX-PROTEC CLIX PPSU adapter with male thread 20x1/2"

730702D02

Areas of application



Plug-in adapter with male thread for sealing with hemp, made of PPSU, incl. push-on sleeve made of transparent polyamide with insertion click noise, as well as haptic and optical insertion indicator, O-rings, withdrawal barriers and protector ring as insertion locking device

DO NOT use liquid sealants or thread sealing tape!

Approvals:



Specifications

Article information

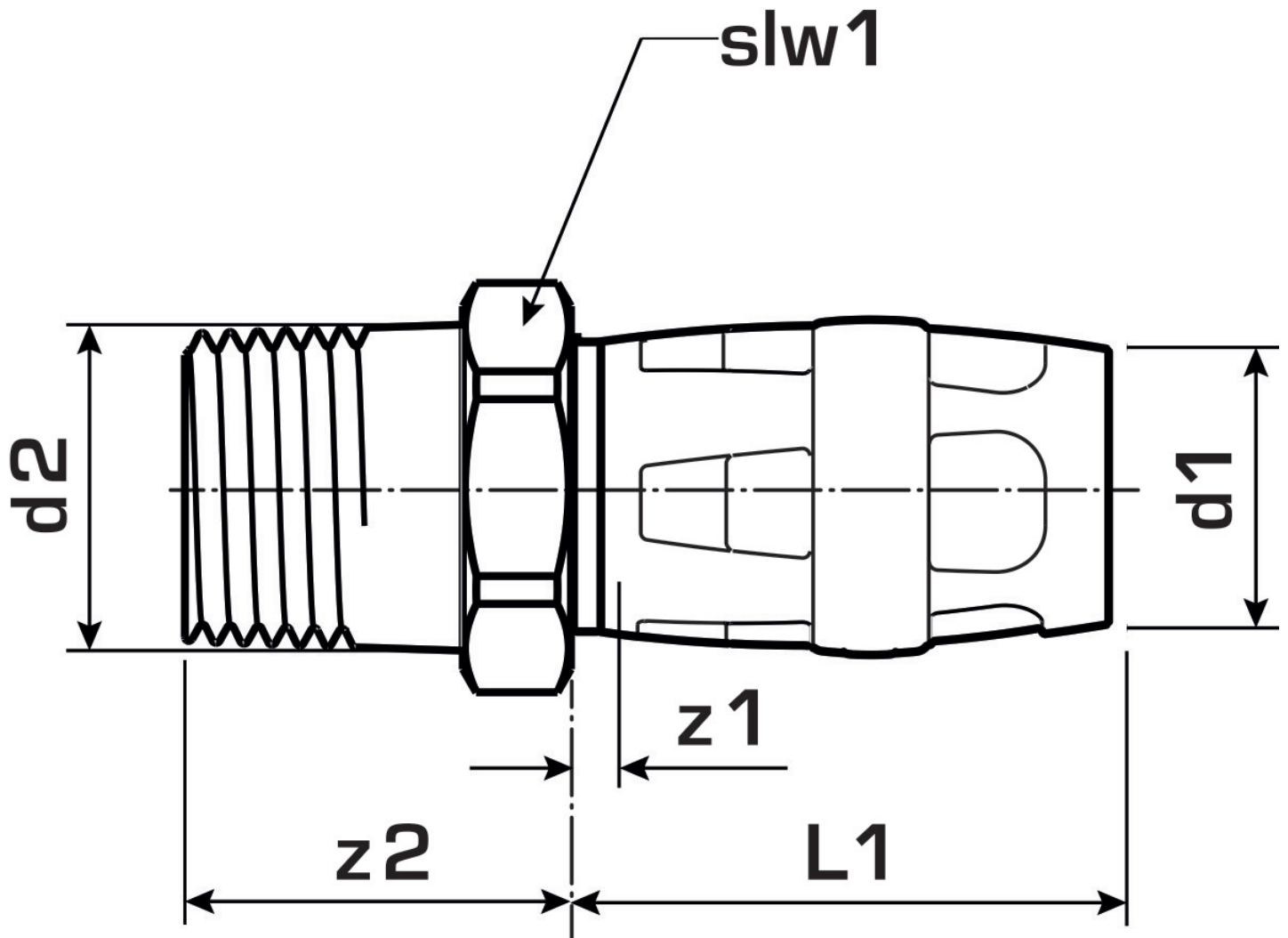
| | |
|-----------|----------------------------|
| port 1 | Plug-in |
| port 2 | Außengewinde konisch (NPT) |
| execution | Miscellaneous |
| design | Straight |

Technical properties

| | |
|------------------------------------|--------|
| maximum working pressure at 20 ° C | 10 bar |
|------------------------------------|--------|

Product information

| | |
|---------------------|---|
| VPE1 | 10,00 SA1 |
| VPE2 | 180,00 KT1 |
| weight | 0,024 KGM |
| text | KELOX-PROTEC CLIX PPSU adapter with male thread |
| INTRNR | 39174000 |
| main material group | KELOX |
| material group | KELOX-PROtec-PPSU pushfittings |
| code | KWP450X |



| Art. No | label | d2 Inches | d1 mm | L1 mm | z1 mm | z2 mm | slw1 mm |
|-----------|---------|-----------|-------|-------|-------|-------|---------|
| 730702D02 | 20x1/2" | 1/2" (15) | 20 | 28 | 3 | 33 | 24 |