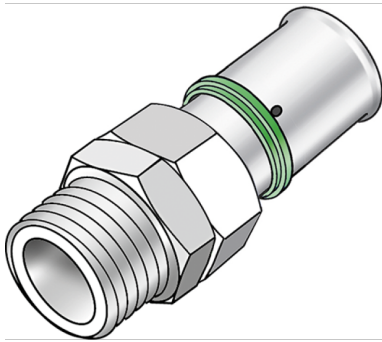


# STEELOX

SMX451 STEELOX union with male thread  
16x1/2"

57241B02

## Areas of application



STEELOX press-fit union with male thread made from stainless steel, thread as per ÖNORM EN 10226,

for connecting to fittings made of non-porous metallised brass (DZR); incl. push-on sleeves with O-rings and stainless steel press-fit sleeves "leak before pressed", flat-sealing including seal

## Approvals:



# Specifications

## Article information

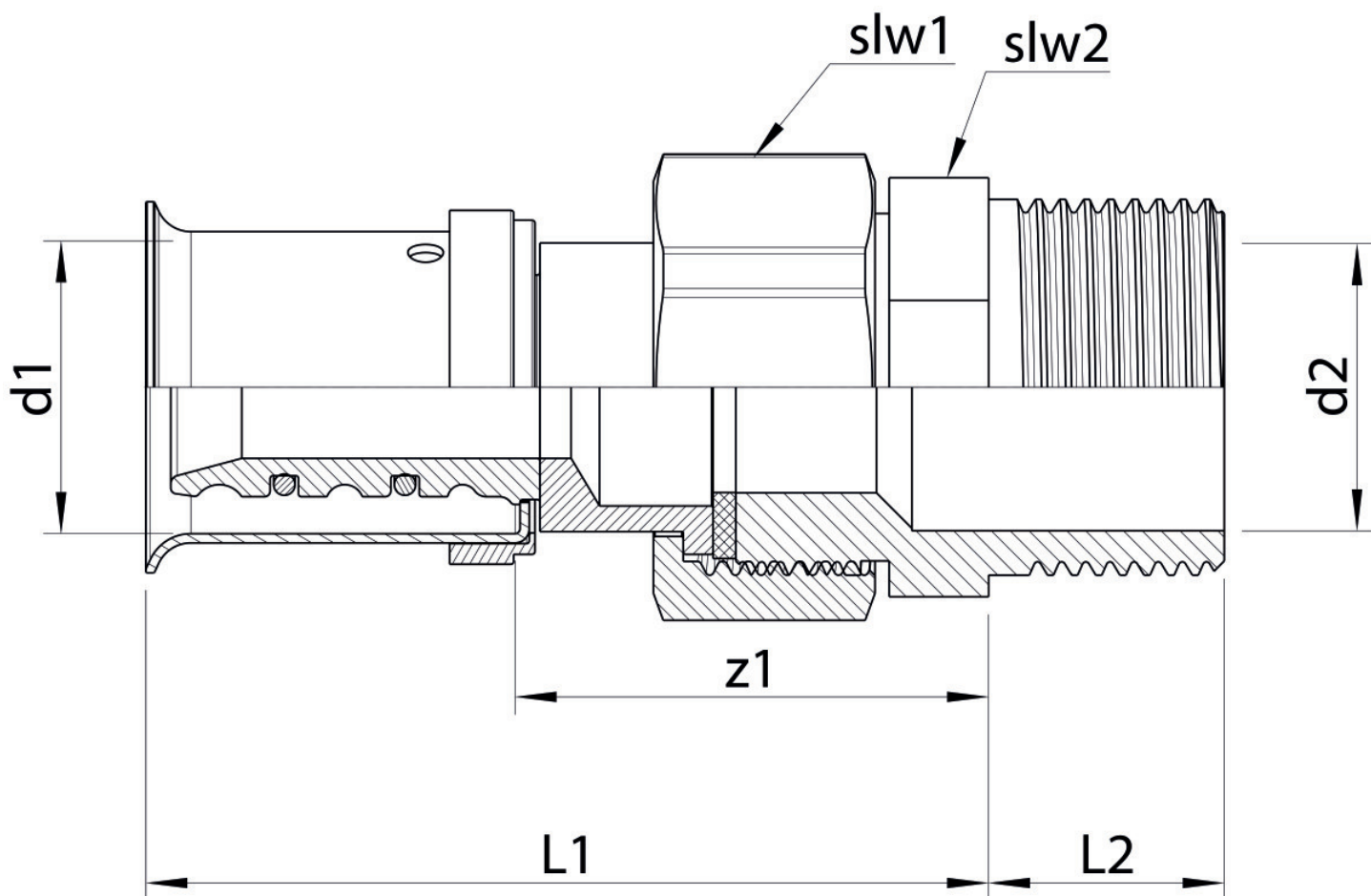
port 1	Pressmuffe
port 2	Außengewinde konisch (NPT)
execution	2-teilig
design	straight
press contour	U

## Technical properties

maximum working pressure at 20 ° C	10 bar
------------------------------------	--------

## Product information

VPE1	10,00 SA1
VPE2	200,00 KT1
weight	0,054 KGM
text	?STEELOX union with male thread
INTRNR	74122000
code	SMX451



Art. No	label	d2	d1 mm	L1 mm	L2 mm	z1 mm	slw1 mm	slw2 mm
57241B02	16x1/2"	1/2 Zoll (15)	16	56	15	33	30	25