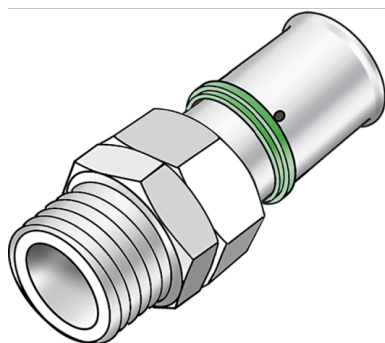


STEELOX

SMX451 ?STEELOX union with male thread 16x3/4"

57241B04

Areas of application



STEELOX press-fit union with male thread made from stainless steel, thread as per ÖNORM EN 10226,

for connecting to fittings made of non-porous metallised brass (DZR); incl. push-on sleeves with O-rings and stainless steel press-fit sleeves "leak before pressed", flat-sealing including seal

Approvals:



Specifications

Article information

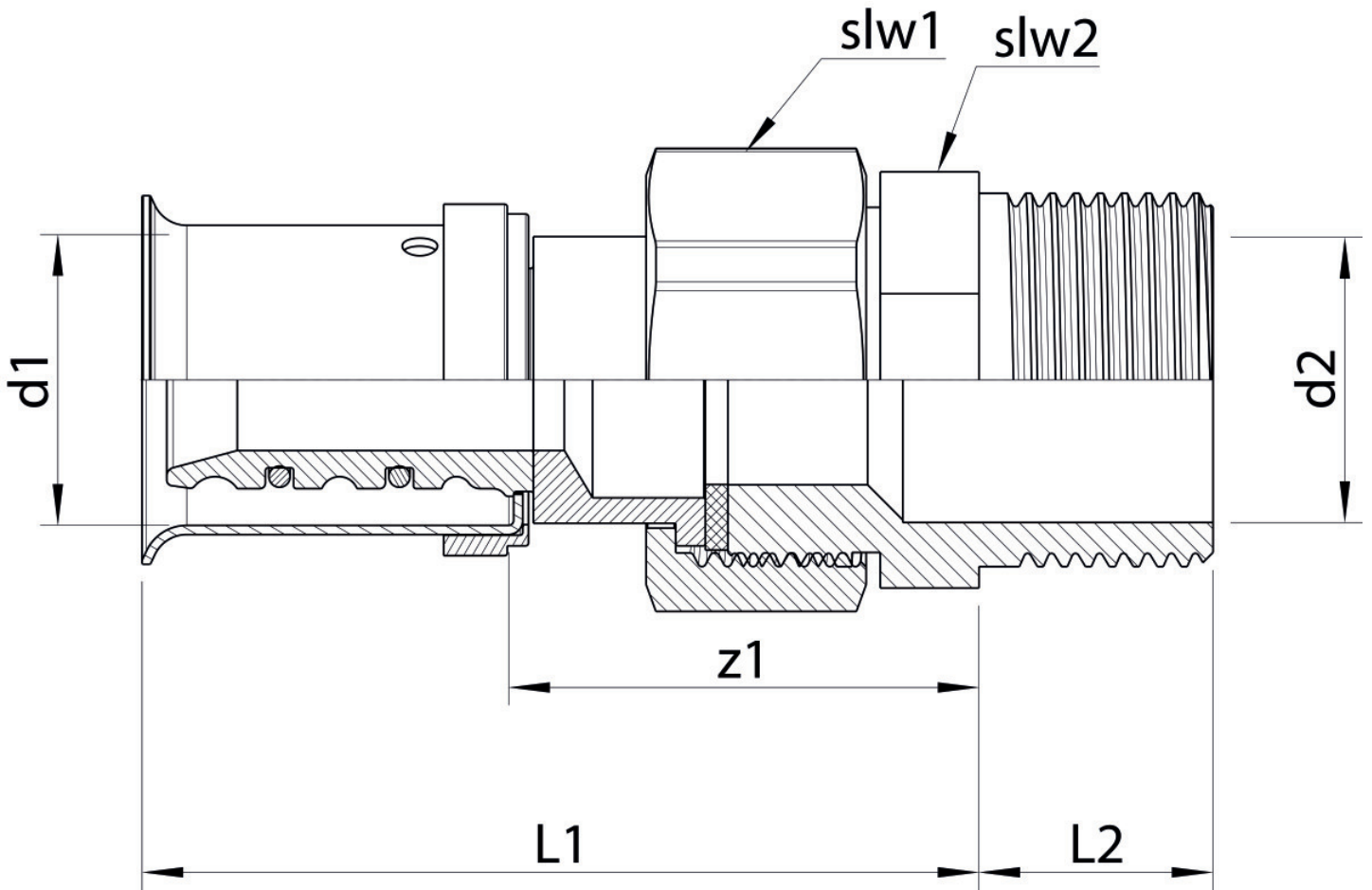
| | |
|---------------|----------------------------|
| port 1 | Pressmuffe |
| port 2 | Außengewinde konisch (NPT) |
| execution | 2-teilig |
| design | straight |
| press contour | U |

Technical properties

| | |
|------------------------------------|--------|
| maximum working pressure at 20 ° C | 10 bar |
|------------------------------------|--------|

Product information

| | |
|--------|---------------------------------|
| VPE1 | 10,00 SA1 |
| VPE2 | 200,00 KT1 |
| weight | 0,077 KGM |
| text | ?STEELOX union with male thread |
| INTRNR | 74122000 |
| code | SMX451 |



| Art. No | label | d2 | d1 mm | L1 mm | L2 mm | z1 mm | slw1 mm | slw2 mm |
|----------|---------|------------------|-------|-------|-------|-------|---------|---------|
| 57241B04 | 16x3/4" | 3/4 Zoll (20) | 16 | 57 | 17 | 34 | 30 | 30 |