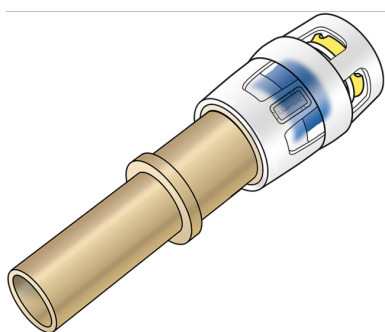


CLIMATE FIX

KCP489X CLIMATEFIX-PROTEC CLIX adapter 16/12

730273B36

Areas of application



?KELOX-PROTEC CLIX push-in adapter, straight, for connection to flexible fabric hoses (pipe size: 12 mm), body made from brass

ATTENTION: NOT suitable for drinking water!

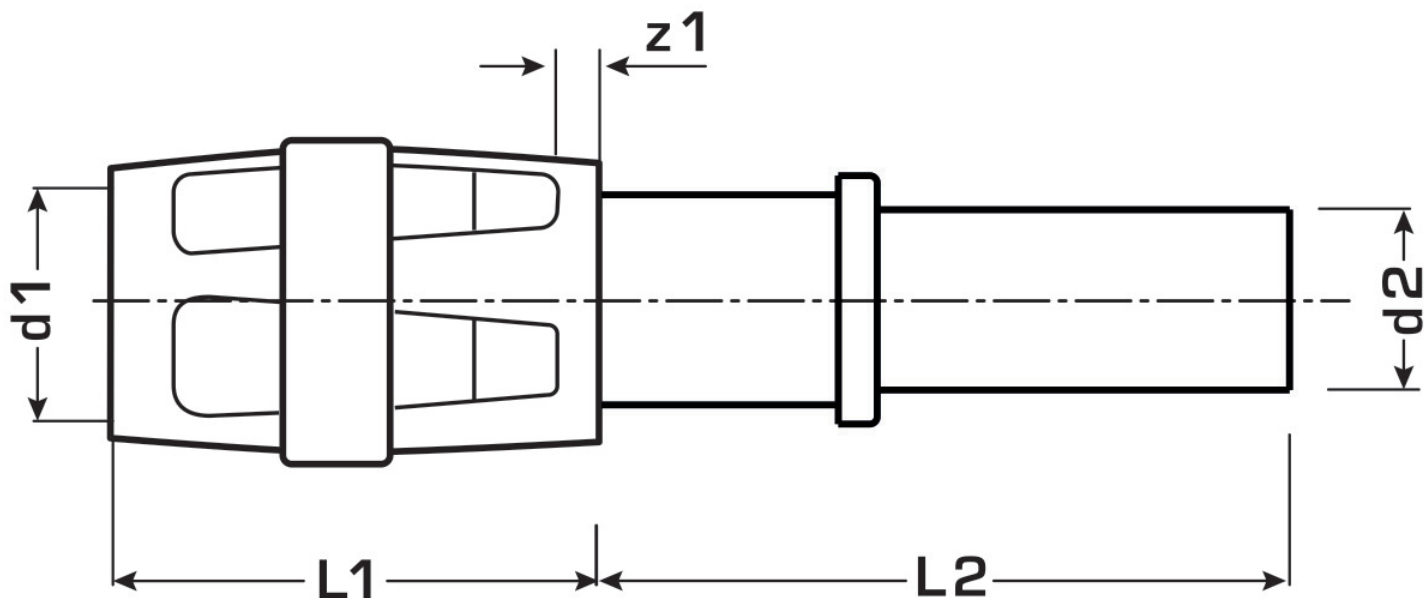
Specifications

Article information

port 1	Einsteck (Push-Fitting)
port 2	Zapfen/Rohrende
execution	sonstige
design	gerade

Product information

VPE1	10,00 SA1
VPE2	180,00 KT1
weight	0,050 KGM
text	CLIMATEFIX-PROTEC CLIX adapter
INTRNR	74122000
main material group	CLIMATEFIX
material group	CLIMATEFIX fittings
code	KCP489X



Art. No	label	d1 mm	d2 mm	L1 mm	L2 mm	z1 mm
730273B36	16/12	16	12	34	46	3