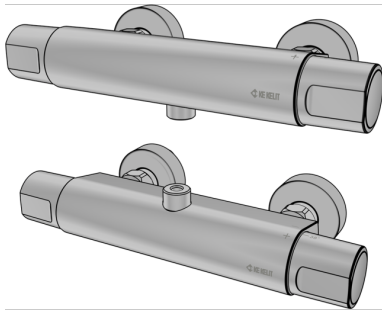


# KETRON

## KET500 KETRON shower fitting surface-mounted Outfeed downwards 1/2"

21805000

### Areas of application



Electronically controlled surface-mounted shower fitting, high-pressure, tripping via piezoelectric pushbutton (ON/OFF) and adjustable water running time and thermostatic mixer. With temperature barrier max. 43°C, can be converted to max. 38°C. Thermal flushing can be carried out by unlocking the thermostat. Surface chrome-plated, operating pressure: 0.3 - 10 bar - max. 80°C. Inside micrometer 150mm, 3/4" connection with flat seal, with S connections G1/2" male thread to G3/4" male thread. Battery operated

# Specifications

Product information	
VPE1	1,00 KT1
weight	2,300 KGM
text	KETRON shower fitting surface-mounted
INTRNR	84818011
code	KET500

Art. No	label
21805000	Outfeed downwards 1/2"