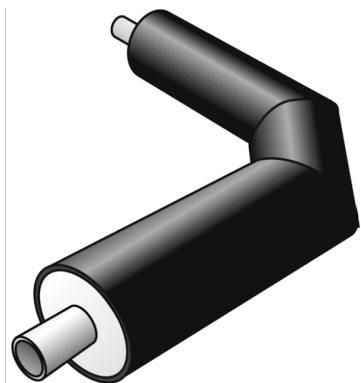


CP2020 STEELFIX-PE carbon steel elbow 108x2.0

3000645

Areas of application



Pre-insulated carbon steel 90° elbow

Medium pipe: Thin-walled, longitudinally welded stainless steel pipes according to EN 10305-3 with a particularly low carbon content and with the outside protected by a thermally applied zinc layer and a passivating/chromium layer

Area of application: closed heating and cooling circuits

Insulation: PUR hard foam, jacket pipe: PE-HD

also available in 45°!

Leg length: 500 x 500mm, other leg lengths on request!

Specifications

| Product information | |
|----------------------------|---|
| casing DA | 200 |
| VPE1 | 1,00 STK |
| weight | 21,480 KGM |
| text | STEELFIX-PE carbon steel elbow |
| INTRNR | 73071190 |
| main material group | STEELFIX CX/PE |
| material group | STEELFIX CX/PE C-Stahl pipes and fittings |
| code | CP2020 |

| Art. No | label |
|---------|---------|
| 3000645 | 108x2.0 |