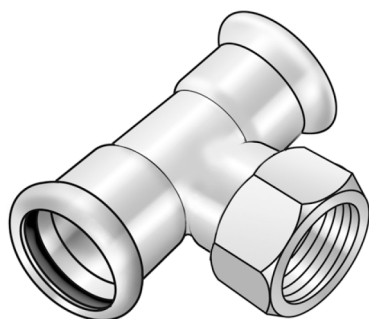


# STEEL FIX EDELSTAHL

NP447 STEELFIX stainless steel press-fit-tee  
with branch female 108x2"

53740L09

## Areas of application



Press-tee with threaded branch female made of stainless steel 1.4404, incl. EPDM sealing elements,  
d15-54 "leak before pressed"

Press contour: M

## Approvals:



# Specifications

## Product information

|                       |   |
|-----------------------|---|
| <b>VPE1</b>           | 1,00 SA1  |
| <b>VPE2</b>           | 6,00 KT1  |
| <b>weight</b>         | 2,400 KGM   |
| <b>text</b>           | STEELFIX stainless steel press-fit-tee with branch female |
| <b>INTRNR</b>         | 73072980  |
| <b>material group</b> | EDELSTAHL pressfittings                                   |
| <b>code</b>           | NP447   |



| Art. No  | label  |
|----------|--------|
| 53740L09 | 108x2" |