

STEEL FIX EDELSTAHL

NPI410 STEELFIX industrial stainless steel press-fit coupling 42

53300GG0

Areas of application



Press coupling straight made of stainless steel 1.4301, incl. EPDM sealing elements, d15-54 "leak before pressed"

Press contour: M

ATTENTION: NOT suitable for drinking water!

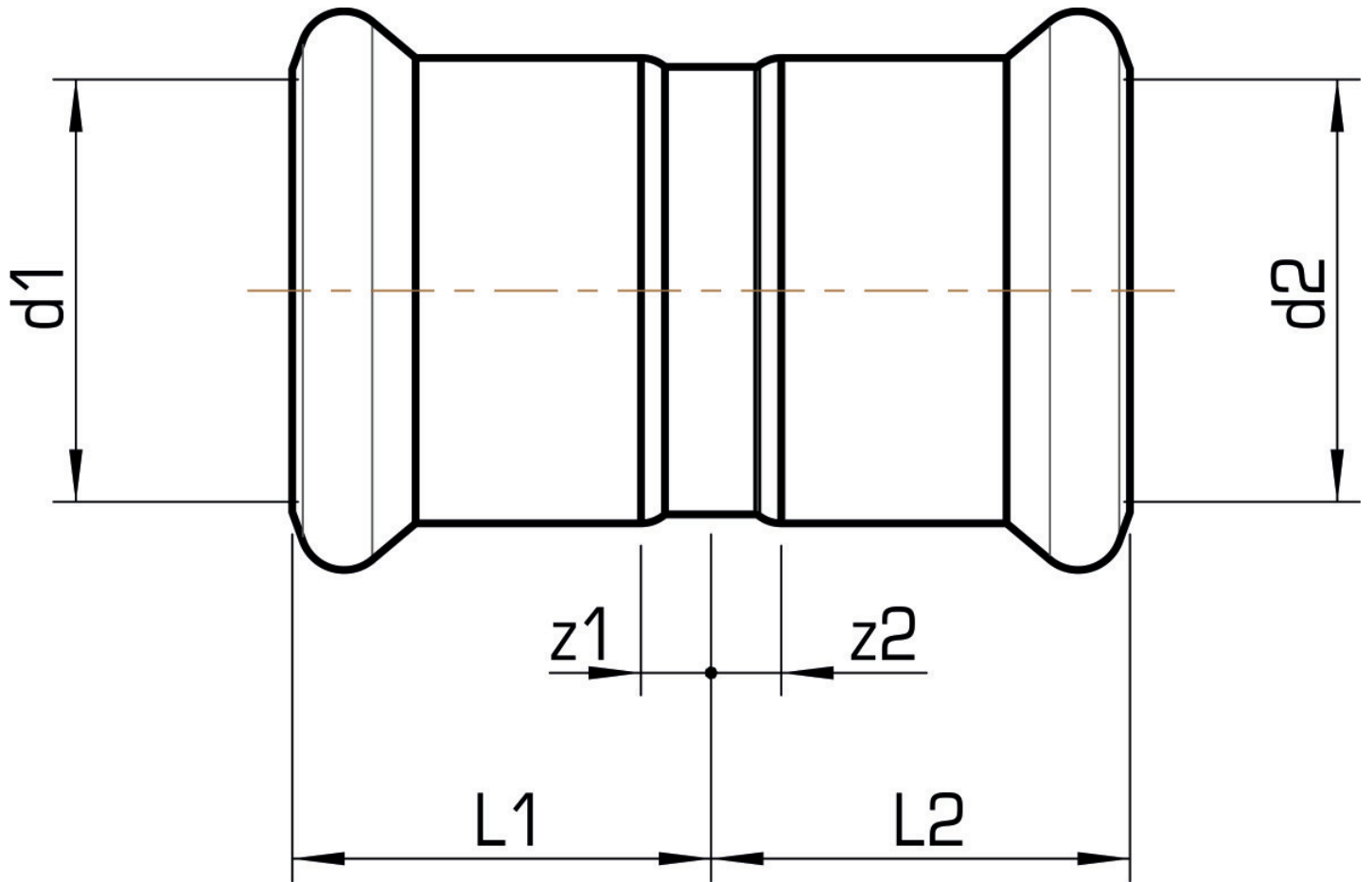
Specifications

Article information

port 1	Pressmuffe
port 2	Pressmuffe
execution	1-teilig
design	gerade
press contour	M

Product information

VPE1	4,00 SA1
VPE2	24,00 KT1
VPE3	600,00 PAL
weight	0,150 KGM
text	STEELFIX industrial stainless steel press-fit coupling
INTRNR	73072980
code	NPI410



Art. No	label	d1 mm	d2 mm	L1 mm	L2 mm	z1 mm	z2 mm
53300GG0	42	42	42	36	36	6	6