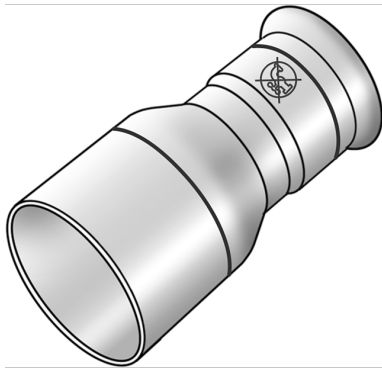


STEEL FIX EDELSTAHL

NPI411 STEELFIX industrial stainless steel press-fit reduction nipple male/female 28/18

53301EC0

Areas of application



Press-fit reducing nipple f/m straight made of stainless steel 1.4301, incl. EPDM sealing elements, d15-54 "leak before pressed"

Press contour: M

ATTENTION: NOT suitable for drinking water!

Specifications

Article information

port 1	Pressmuffe
port 2	Zapfen/Rohrende
execution	1-teilig
design	gerade
press contour	M

Product information

VPE1	10,00 SA1
VPE2	80,00 KT1
VPE3	2000,00 PAL
weight	0,060 KGM
text	STEELFIX industrial stainless steel press-fit reduction nipple male/female
INTRNR	73072980
code	NPI411



Art. No	label	d1 mm	d2 mm	L1 mm	L2 mm	z1 mm	z2 mm
53301EC0	28/18	18	28	31	37	11	8