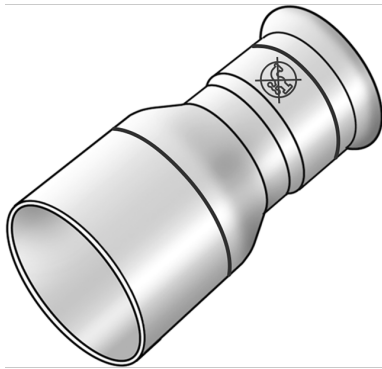


STEEL FIX EDELSTAHL

NPI411 STEELFIX industrial stainless steel press-fit reduction nipple male/female 54/18

53301HC0

Areas of application



Press-fit reducing nipple f/m straight made of stainless steel 1.4301, incl. EPDM sealing elements, d15-54 "leak before pressed"

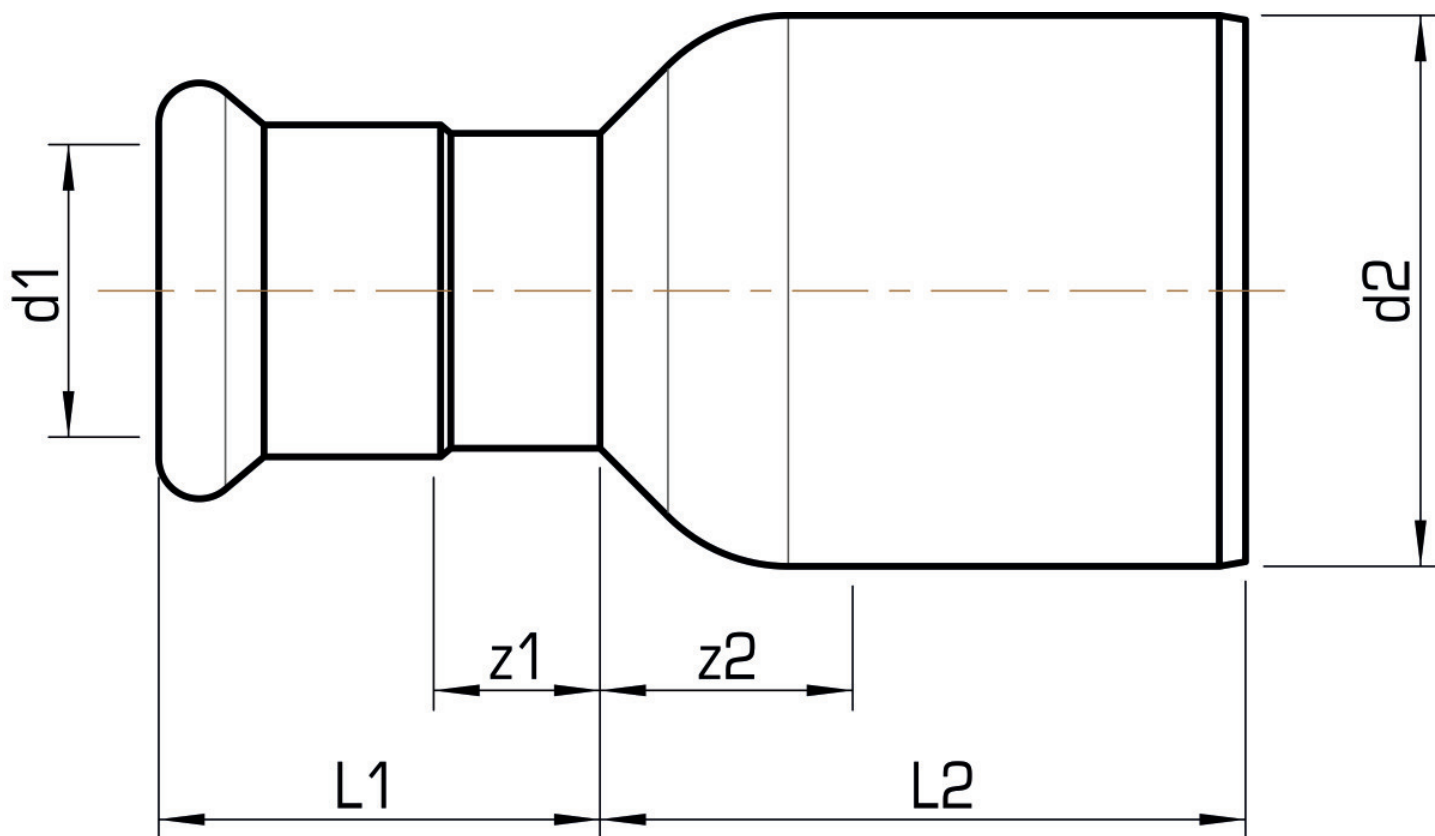
Press contour: M

ATTENTION: NOT suitable for drinking water!

Specifications

Product information

weight	0,21 KGM
text	STEELFIX industrial stainless steel press-fit reduction nipple male/female
INTRNR	73072980
code	NPI411



Art. No	label
53301HC0	54/18



KE KELIT GmbH
A 4020 Linz, Ignaz-Mayer-Straße 17, Austria, Europe
PHONE +43 (0) 50 779 **E-MAIL** office@kekelit.com
www.kekelit.com