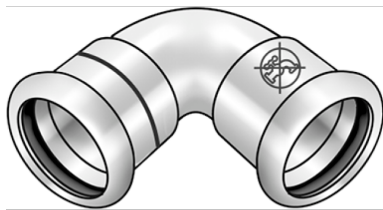


STEEL FIX EDELSTAHL

NPI420 STEELFIX industrial stainless steel press-fit elbow 90° 35

53315FF0

Areas of application



Press-elbow 90° stainless steel 1.4301, incl. EPDM sealing elements, d15-54 "leak before pressed"

Press contour: M

ATTENTION: NOT suitable for drinking water!

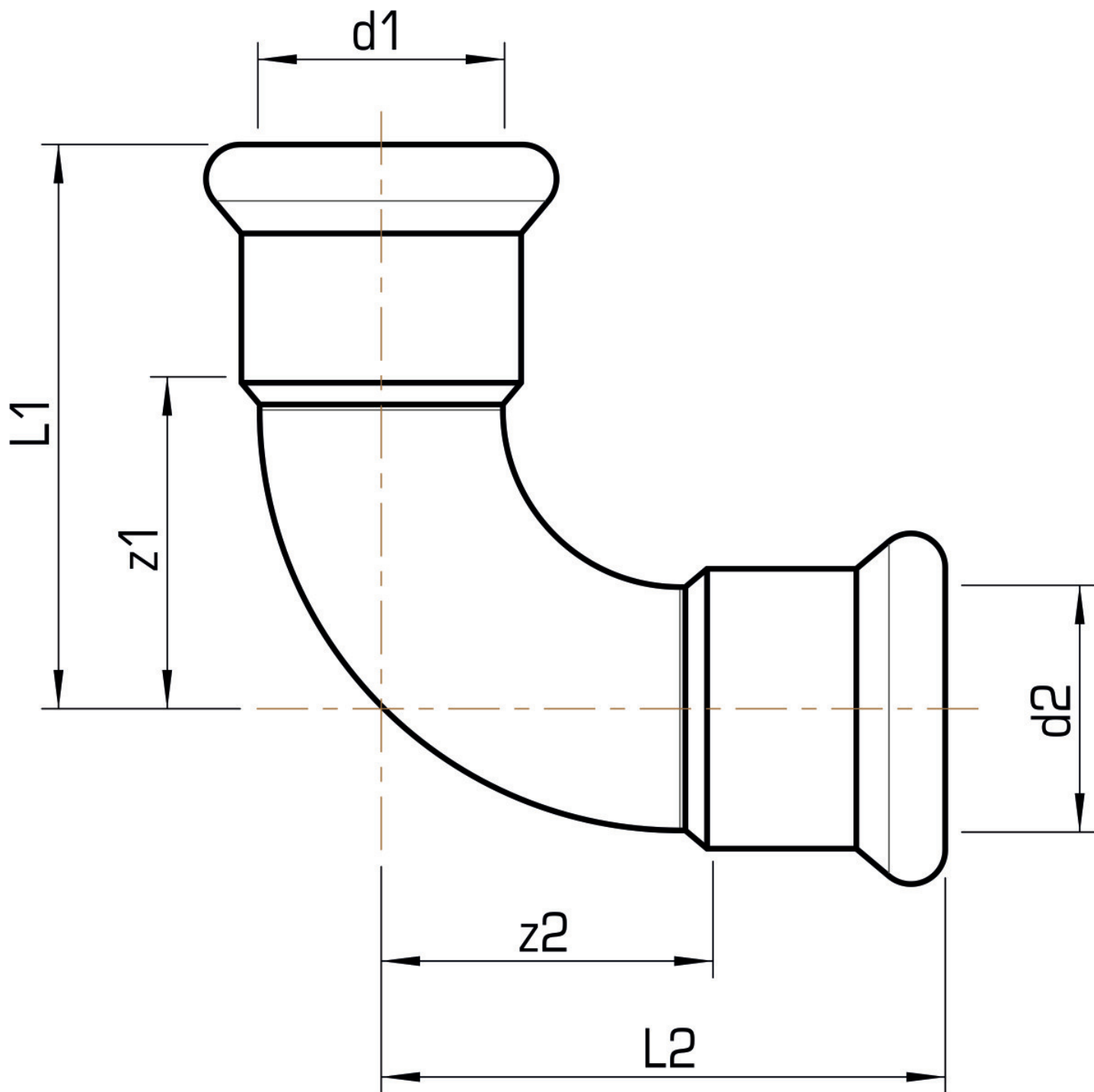
Specifications

Article information

port 1	Pressmuffe
port 2	Pressmuffe
execution	1-teilig
design	Bogen
angle	90 °
press contour	M

Product information

VPE1	5,00 SA1
VPE2	20,00 KT1
VPE3	500,00 PAL
weight	0,310 KGM
text	STEELFIX industrial stainless steel press-fit elbow 90°
INTRNR	73072980
code	NPI420



Art. No	label	d1 mm	d2 mm	L1 mm	L2 mm	z1 mm	z2 mm
53315FF0	35	35	35	71	71	45	45