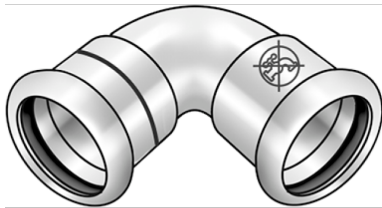


STEEL FIX EDELSTAHL

NPI420 STEELFIX industrial stainless steel press-fit elbow 90° 76,1

53315JJ0

Areas of application



Press-elbow 90° stainless steel 1.4301, incl. EPDM sealing elements, d15-54 "leak before pressed"

Press contour: M

ATTENTION: NOT suitable for drinking water!

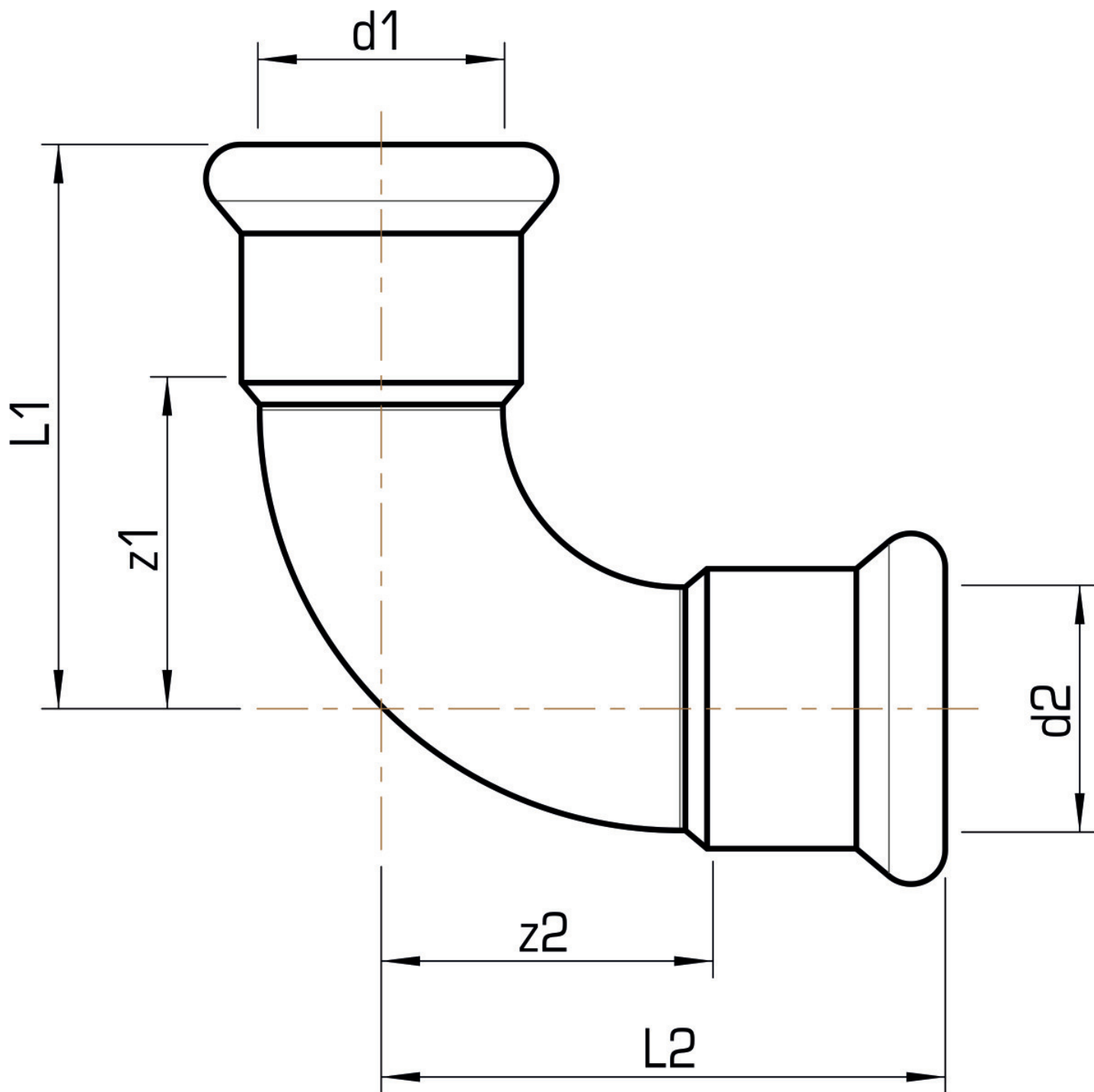
Specifications

Article information

port 1	Pressmuffe
port 2	Pressmuffe
execution	1-teilig
design	Bogen
angle	90 °
press contour	M

Product information

VPE1	2,00 SA1
VPE2	12,00 KT1
weight	0,980 KGM
text	STEELFIX industrial stainless steel press-fit elbow 90°
INTRNR	73072980
code	NPI420



Art. No	label	d1 mm	d2 mm	L1 mm	L2 mm	z1 mm	z2 mm
53315JJ0	76,1	76,1	76,1	150	150	95	95