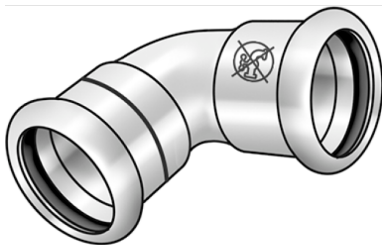


STEEL FIX EDELSTAHL

NPI425 STEELFIX industrial stainless steel press-fit elbow 45° 18

53320CC0

Areas of application



Press-elbow 45° stainless steel 1.4301, incl. EPDM sealing components, d15-54 "leak before pressed"

Press contour: M

ATTENTION: NOT suitable for drinking water!

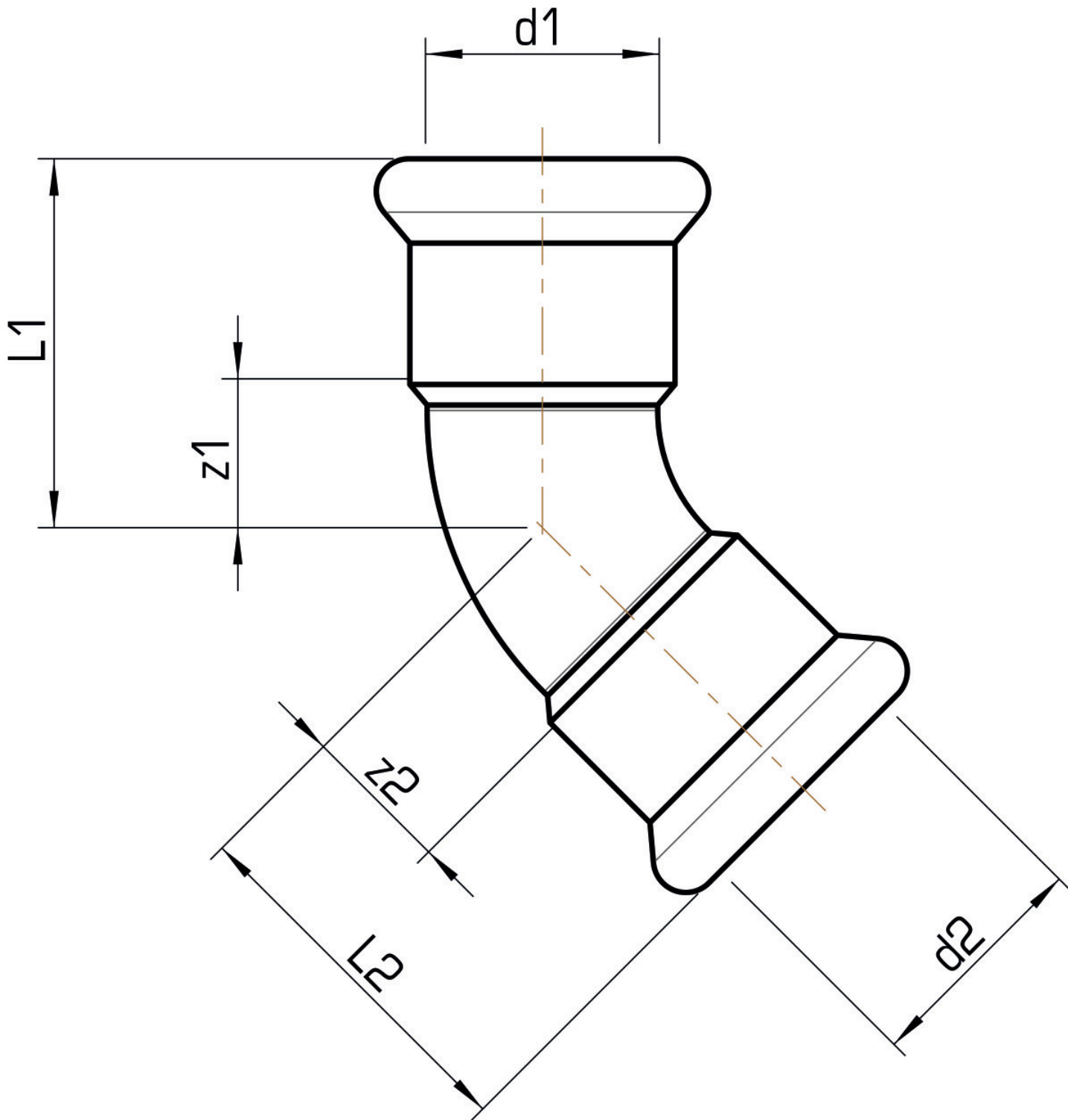
Specifications

Article information

| | |
|---------------|------------|
| port 1 | Pressmuffe |
| port 2 | Pressmuffe |
| execution | 1-teilig |
| design | Bogen |
| angle | 45 ° |
| press contour | M |

Product information

| | |
|--------|---|
| VPE1 | 10,00 SA1 |
| VPE2 | 120,00 KT1 |
| VPE3 | 3000,00 PAL |
| weight | 0,050 KGM |
| text | STEELFIX industrial stainless steel press-fit elbow 45° |
| INTRNR | 73072980 |
| code | NPI425 |



| Art. No | label | d1 mm | d2 mm | L1 mm | L2 mm | z1 mm | z2 mm |
|----------|-------|-------|-------|-------|-------|-------|-------|
| 53320CC0 | 18 | 18 | 18 | 32 | 32 | 12 | 12 |



KE KELIT GmbH

A 4020 Linz, Ignaz-Mayer-Straße 17, Austria, Europe

PHONE +43 (0) 50 779 **E-MAIL** office@kekelit.com

www.kekelit.com