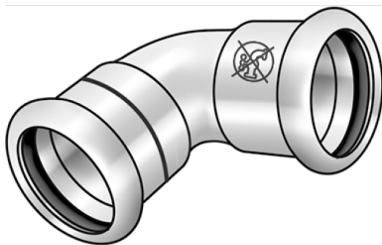


STEEL FIX EDELSTAHL

NPI425 STEELFIX industrial stainless steel press-fit elbow 45° 28

53320EE0

Areas of application



Press-elbow 45° stainless steel 1.4301, incl. EPDM sealing components, d15-54 "leak before pressed"

Press contour: M

ATTENTION: NOT suitable for drinking water!

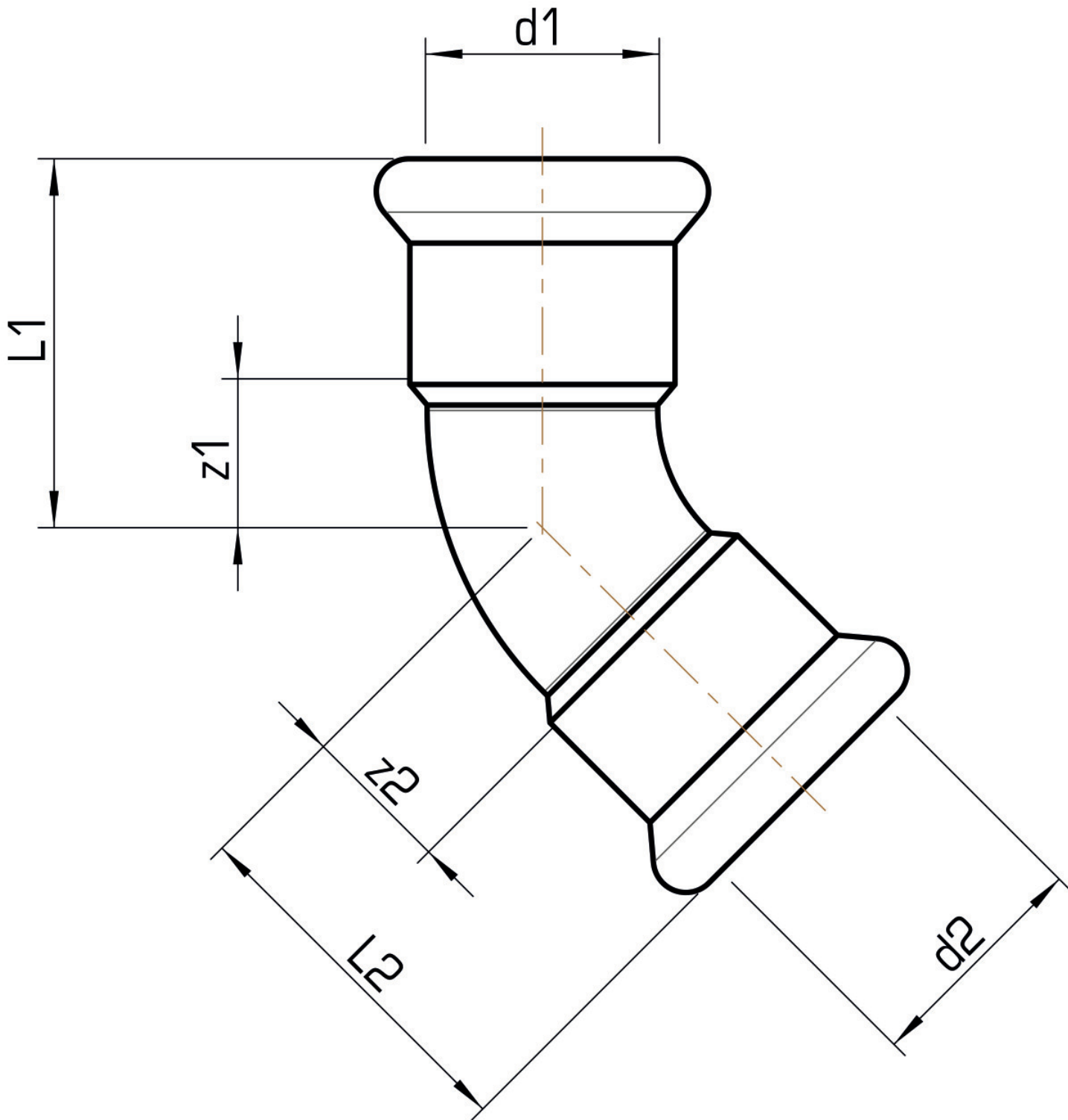
Specifications

Article information

port 1	Pressmuffe
port 2	Pressmuffe
execution	1-teilig
design	Bogen
angle	45 °
press contour	M

Product information

VPE1	10,00 SA1
VPE2	40,00 KT1
VPE3	1000,00 PAL
weight	0,100 KGM
text	STEELFIX industrial stainless steel press-fit elbow 45°
INTRNR	73072980
code	NPI425



Art. No	label	d1 mm	d2 mm	L1 mm	L2 mm	z1 mm	z2 mm
53320EE0	28	28	28	40	40	17	17



KE KELIT GmbH

A 4020 Linz, Ignaz-Mayer-Straße 17, Austria, Europe

PHONE +43 (0) 50 779 **E-MAIL** office@kekelit.com

www.kekelit.com