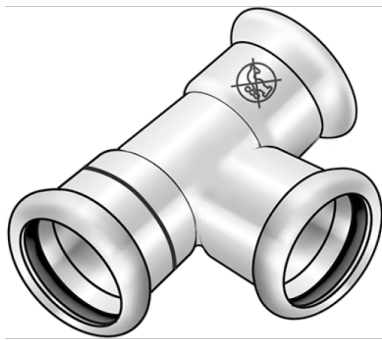


STEEL FIX EDELSTAHL

NPI440 STEELFIX industrial stainless steel press-fit-tee 22/15/22

53330DBD

Areas of application



Press-tee equal or reduced made of stainless steel 1.4301, incl. EPDM sealing elements, d15-54
"leak before pressed"

Press contour: M

ATTENTION: NOT suitable for drinking water!

Specifications

Article information

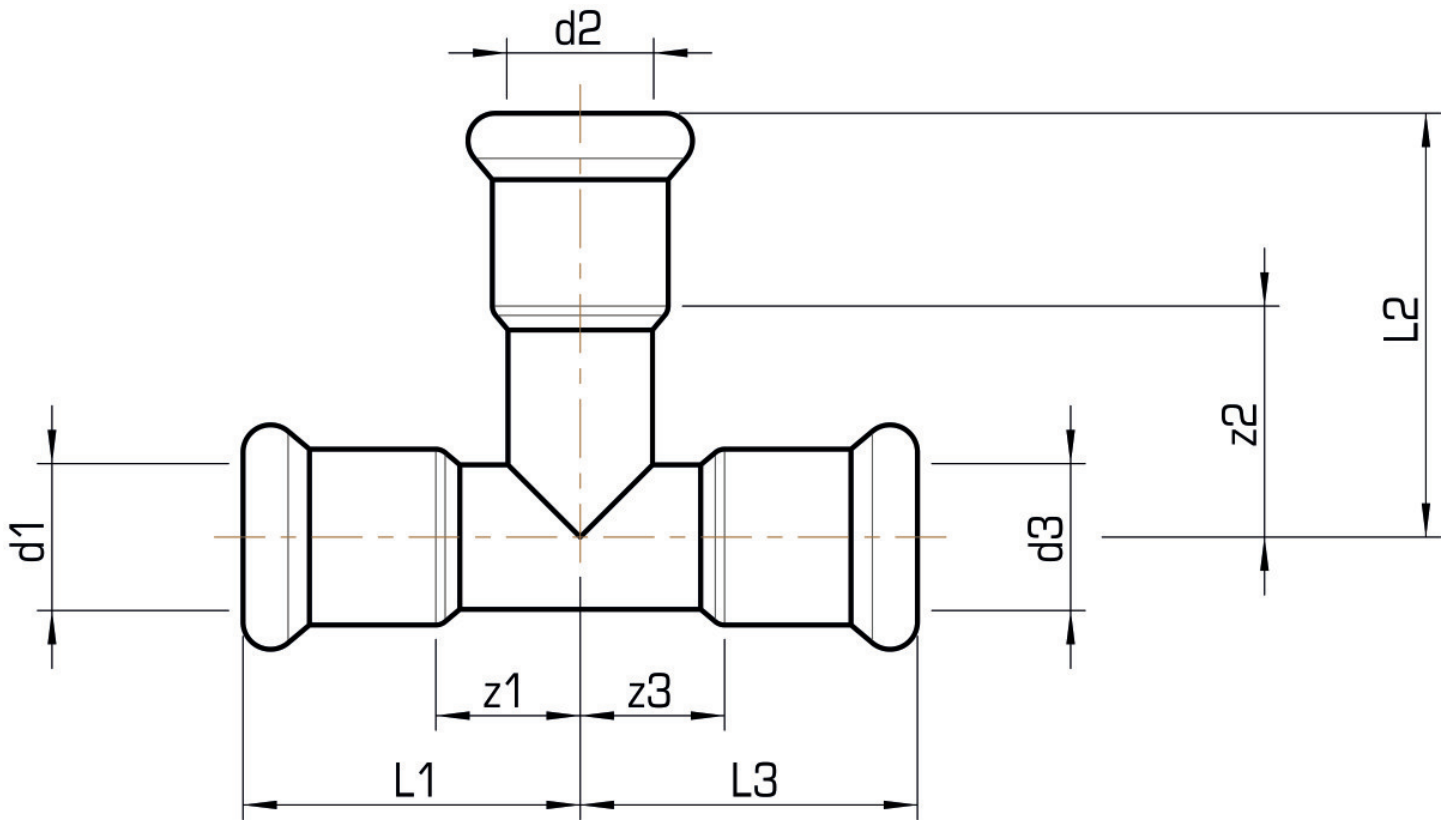
port 1	Pressmuffe
port 2	Pressmuffe
port 3	Pressmuffe
execution	T-Stück
press contour	M

Technical properties

maximum working pressure at 20 ° C	16 bar
------------------------------------	--------

Product information

VPE1	10,00 SA1
VPE2	50,00 KT1
VPE3	1250,00 PAL
weight	0,100 KGM
text	STEELFIX industrial stainless steel press-fit-tee
INTRNR	73072980
code	NPI440



Art. No	label	d1 mm	d2 mm	d3 mm	L1 mm	L2 mm	L3 mm	z1 mm	z2 mm	z3 mm
53330DBI	22/15/22	22	15	22	40	43	40	19	23	19