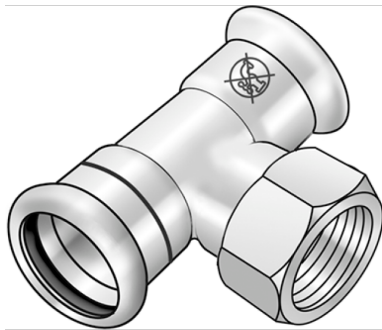


STEEL FIX EDELSTAHL

NPI447 STEELFIX industrial stainless steel press-fit-tee with branch female 22x1/2"

53840D02

Areas of application



Press-tee with threaded branch female made of stainless steel 1.4301, incl. EPDM sealing elements, d15-54 "leak before pressed"

Press contour: M

ATTENTION: NOT suitable for drinking water!

Specifications

Article information

port 1	Pressmuffe
port 2	Innengewinde konisch (NPT)
port 3	Pressmuffe
execution	T-Stück
press contour	M

Technical properties

maximum working pressure at 20 ° C	16 bar
------------------------------------	--------

Product information

VPE1	10,00 SA1
VPE2	40,00 KT1
VPE3	1000,00 PAL
weight	0,130 KGM
text	STEELFIX industrial stainless steel press-fit-tee with branch female
INTRNR	73072980
code	NPI447



Art. No	label	d2 Zoll	d1 mm	d3 mm	L1 mm	L2 mm	L3 mm	z1 mm	z2 mm	z3 mm	slw1 mm
53840D0	22x1/2"	1/2 Zoll (15)	22	22	40	37	40	19	21	19	27