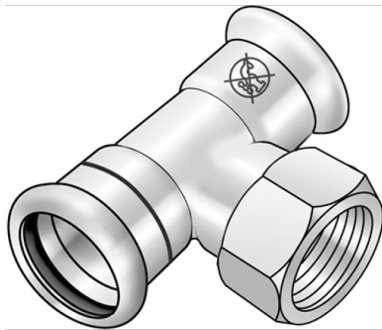


# STEEL FIX EDELSTAHL

NPI447 STEELFIX industrial stainless steel press-fit-tee with branch female 42x3/4"

53840G04

## Areas of application



Press-tee with threaded branch female made of stainless steel 1.4301, incl. EPDM sealing elements, d15-54 "leak before pressed"

Press contour: M

ATTENTION: NOT suitable for drinking water!

# Specifications

## Article information

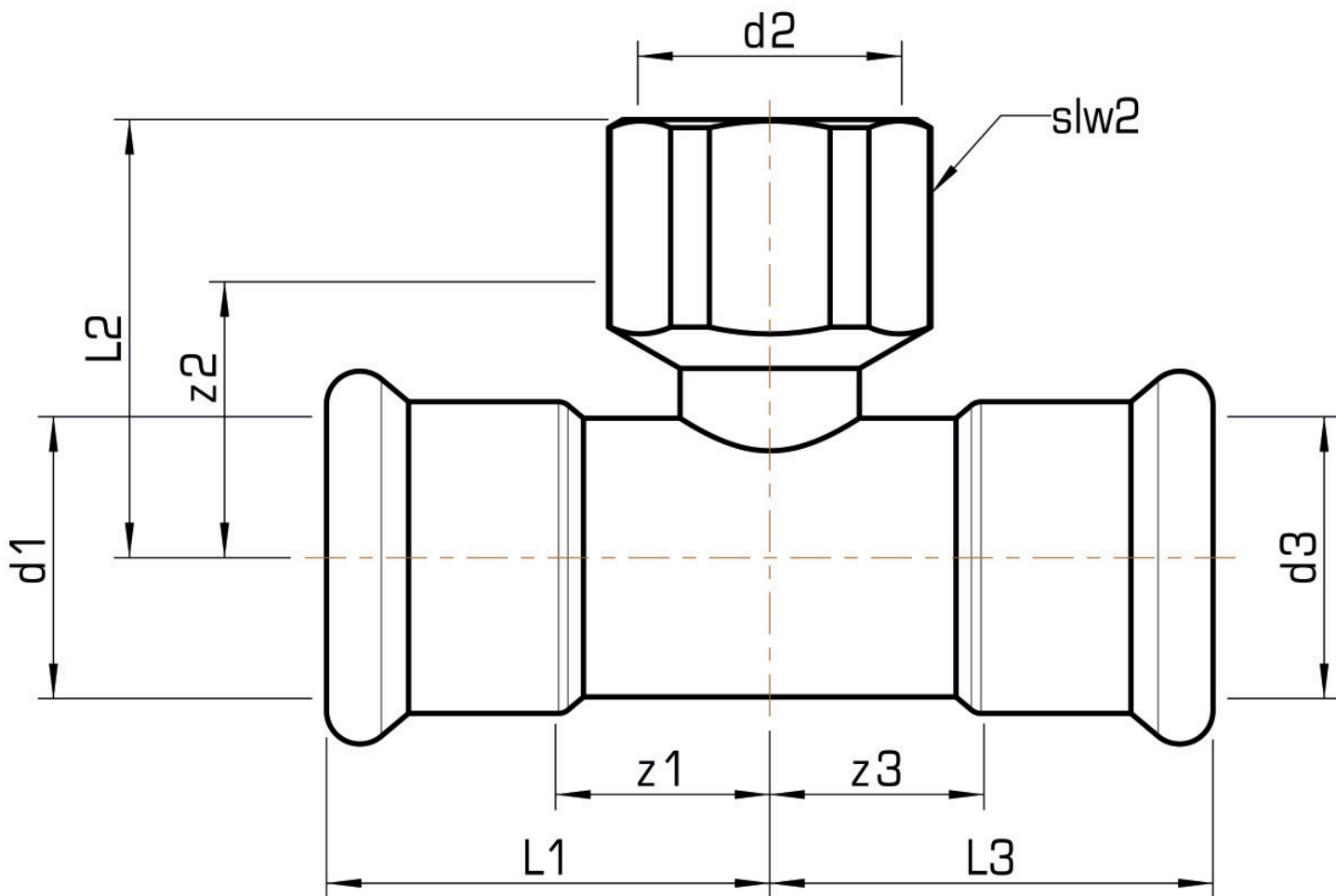
|               |                            |
|---------------|----------------------------|
| port 1        | Pressmuffe                 |
| port 2        | Innengewinde konisch (NPT) |
| port 3        | Pressmuffe                 |
| execution     | T-Stück                    |
| press contour | M                          |

## Technical properties

|                                    |        |
|------------------------------------|--------|
| maximum working pressure at 20 ° C | 16 bar |
|------------------------------------|--------|

## Product information

|        |  |
|--------|--|
| VPE1   | 4,00 SA1   |
| VPE2   | 12,00 KT1  |
| VPE3   | 300,00 PAL   |
| weight | 0,280 KGM  |
| text   | STEELFIX industrial stainless steel press-fit-tee with branch female |
| INTRNR | 73072980   |
| code   | NPI447   |



| Art. No | label   | d2 Zoll       | d1 mm | d3 mm | L1 mm | L2 mm | L3 mm | z1 mm | z2 mm | z3 mm | slw1 mm |
|---------|---------|---------------|-------|-------|-------|-------|-------|-------|-------|-------|---------|
| 53840G0 | 42x3/4" | 3/4 Zoll (20) | 42    | 42    | 60    | 48    | 60    | 30    | 30    | 30    | 30      |