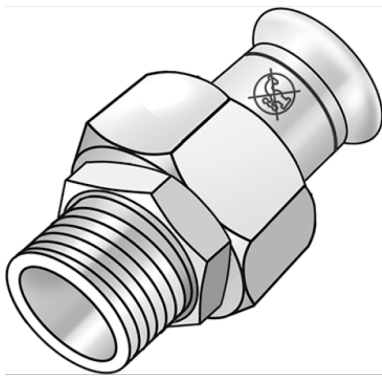


STEEL FIX EDELSTAHL

NPI451 STEELFIX industrial stainless steel press-fit union with male thread 42x6/4"

53841G07

Areas of application



Press-fit union with male thread conforming to EN 10226-1 made of stainless steel 1.4301, incl. EPDM sealing elements, d15-54 "leak before pressed"

Press contour: M

ATTENTION: NOT suitable for drinking water!

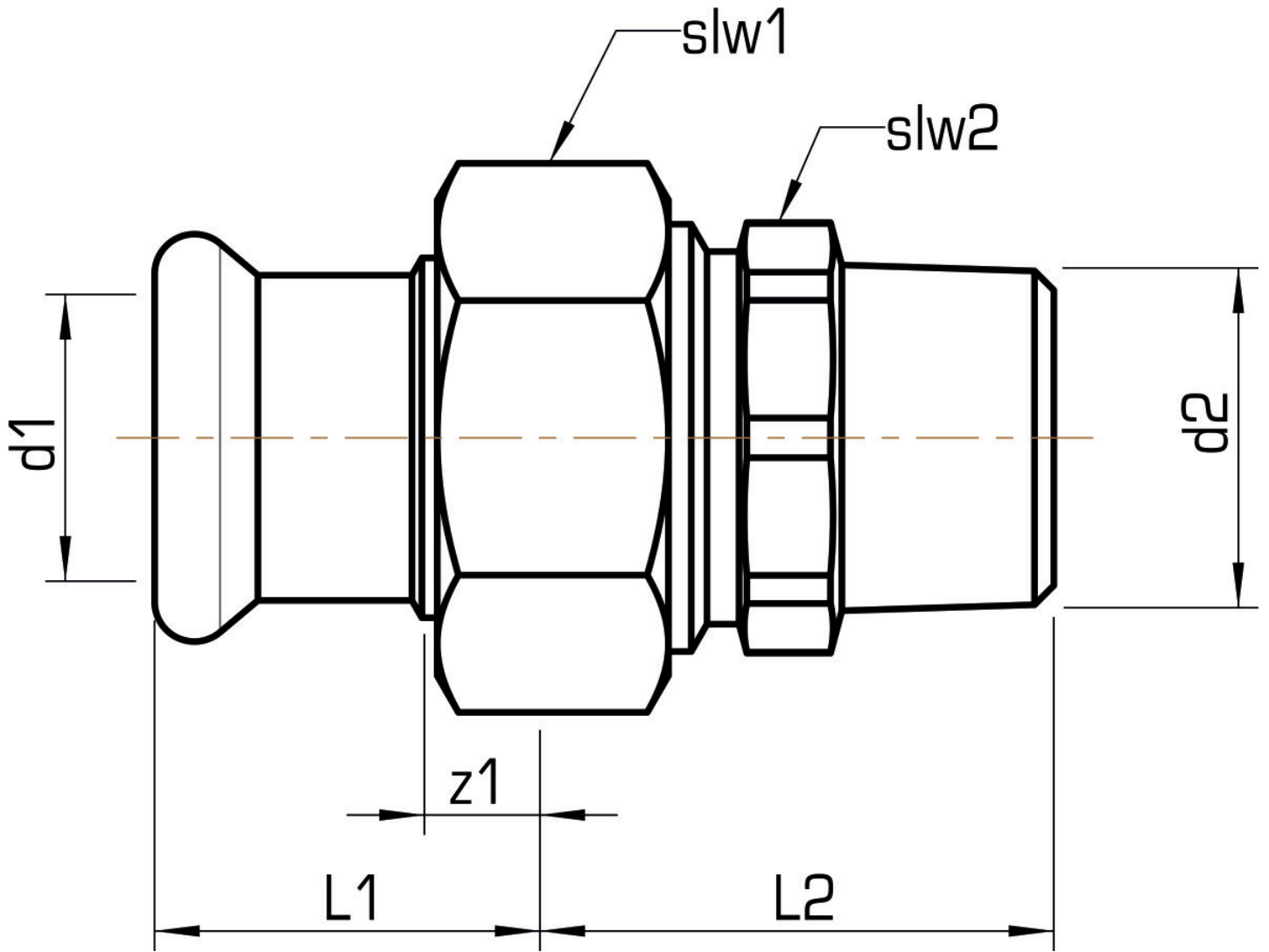
Specifications

Article information

port 1	Pressmuffe
port 2	Außengewinde konisch BSPT-R (ISO 7-1 / EN 10226-1)
execution	1-teilig
design	gerade
press contour	M

Product information

VPE1	2,00 SA1
VPE2	12,00 KT1
VPE3	300,00 PAL
weight	0,560 KGM
text	STEELFIX industrial stainless steel press-fit union with male thread
INTRNR	73072980
code	NPI451



Art. No	label	d2 Zoll	d1 mm	L1 mm	L2 mm	z1 mm	slw1 mm	slw2 mm
53841G07	42x6/4"	1 1/2 Zoll (40)	42	41	45	11	58	51