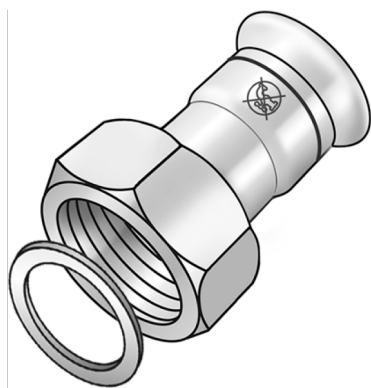


STEEL FIX EDELSTAHL

NPI455 STEELFIX industrial stainless steel press-fit screw fitting with female thread 42x1 3/4"

53803G08

Areas of application



Press-adapter female screw union to connect to fittings, made of stainless steel 1.4301, incl. EPDM sealing components, d15-54 "leak before pressed"

Press contour: M

ATTENTION: NOT suitable for drinking water!

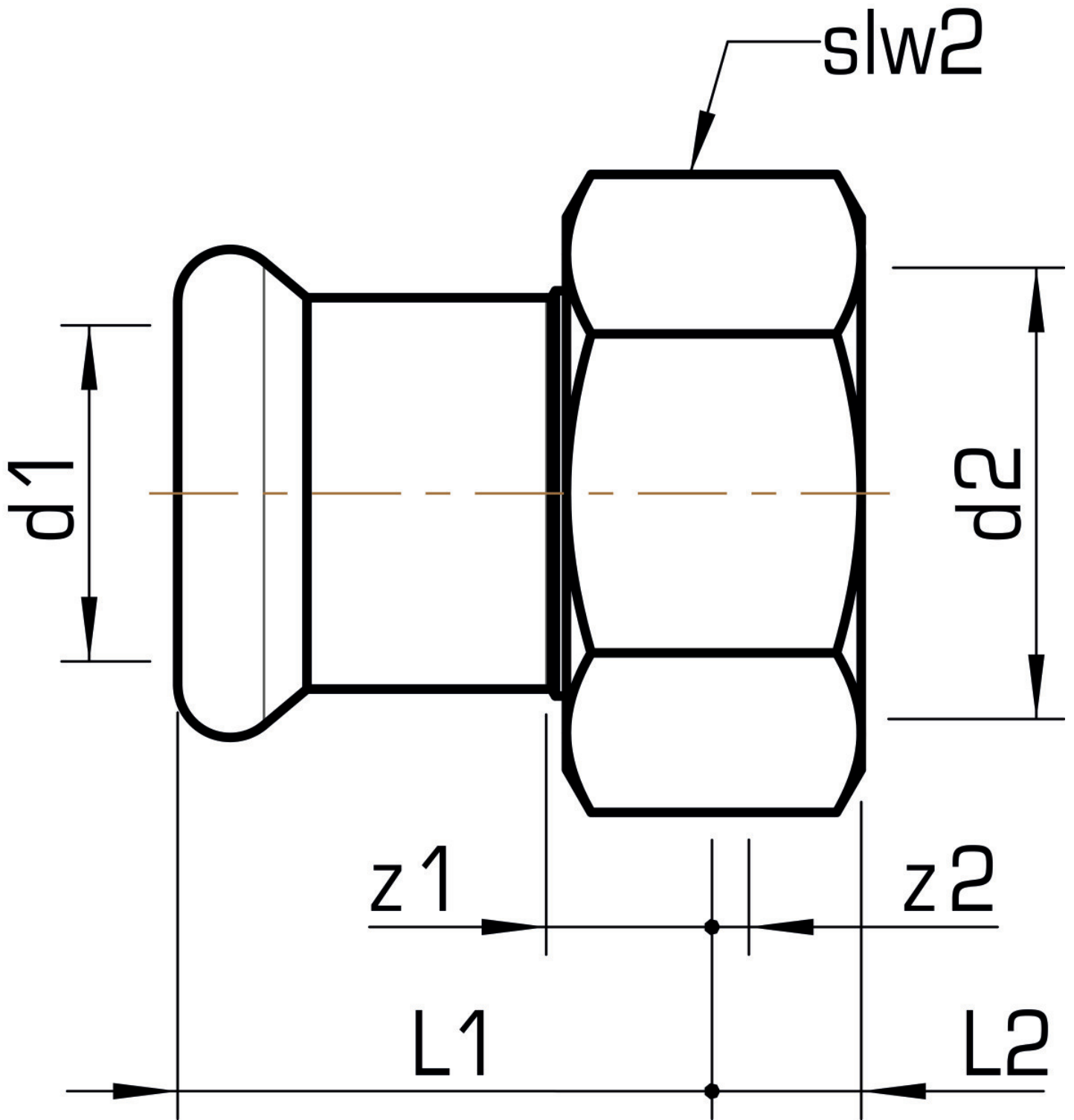
Specifications

Article information

port 1	Pressmuffe
port 2	Innengewinde zylindrisch BSPT-Rp (ISO 7-1 / EN 10226-1)
execution	1-teilig
design	gerade
press contour	M

Product information

VPE1	4,00 SA1
VPE2	12,00 KT1
VPE3	300,00 PAL
weight	0,270 KGM
text	STEELFIX industrial stainless steel press-fit screw fitting with female thread
INTRNR	73072980
code	NPI455



Art. No	label	d2 Zoll	d1 mm	L1 mm	L2 mm	z1 mm	z2 mm	slw2 mm
53803G08	42x1 3/4"	1 3/4 Zoll	42	36	17	6	6	58



KE KELIT GmbH

A 4020 Linz, Ignaz-Mayer-Straße 17, Austria, Europe

PHONE +43 (0) 50 779 **E-MAIL** office@kekelit.com

www.kekelit.com