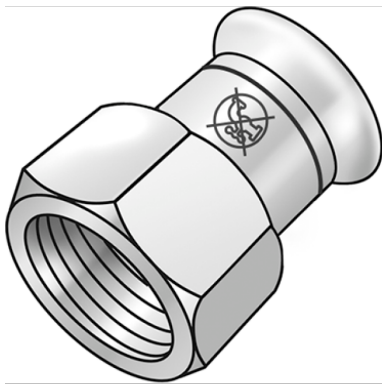


STEEL FIX EDELSTAHL

NPI457 STEELFIX industrial stainless steel press-fit adapter with female thread 35x5/4"

53806F06

Areas of application



Press-adapter with female thread made of stainless steel 1.4301, incl. EPDM sealing elements, d15-54 "leak before pressed"

Press contour: M

ATTENTION: NOT suitable for drinking water!

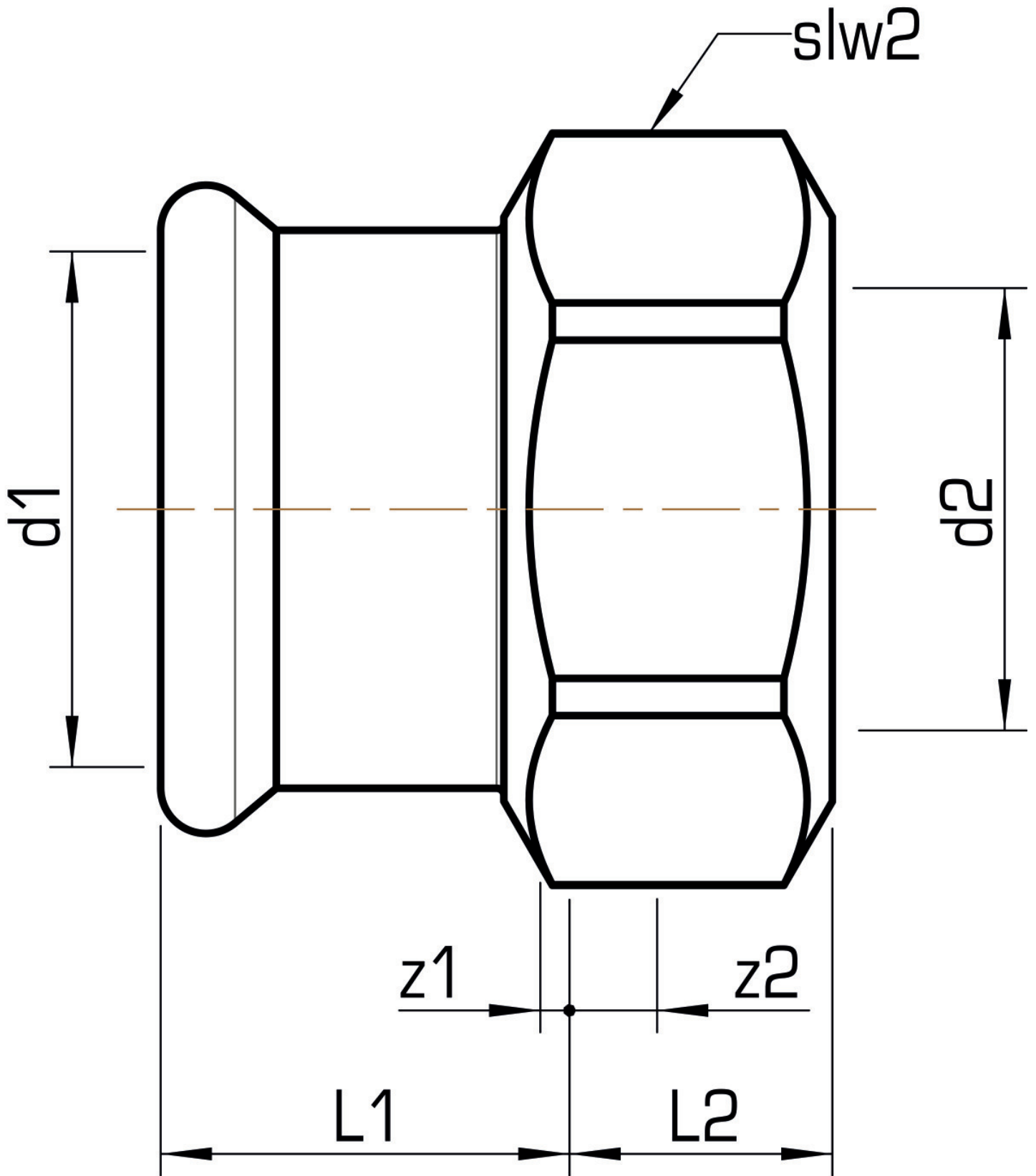
Specifications

Article information

| | |
|----------------------|---|
| port 1 | Pressmuffe |
| port 2 | Innengewinde zylindrisch BSPT-Rp (ISO 7-1 / EN 10226-1) |
| execution | 1-teilig |
| design | gerade |
| press contour | M |

Product information

| | |
|---------------|--|
| VPE1 | 5,00 SA1 |
| VPE2 | 20,00 KT1 |
| VPE3 | 500,00 PAL |
| weight | 0,210 KGM |
| text | STEELFIX industrial stainless steel press-fit adapter with female thread |
| INTRNR | 73072980 |
| code | NPI457 |



| Art. No | label | d2 Zoll | d1 mm | L1 mm | L2 mm | z1 mm | z2 mm | slw2 mm |
|----------|---------|--------------------|-------|-------|-------|-------|-------|---------|
| 53806F06 | 35x5/4" | 1 1/4 Zoll (32) | 35 | 29 | 22 | 3 | 7 | 46 |



KE KELIT GmbH

A 4020 Linz, Ignaz-Mayer-Straße 17, Austria, Europe

PHONE +43 (0) 50 779 **E-MAIL** office@kekelit.com

www.kekelit.com