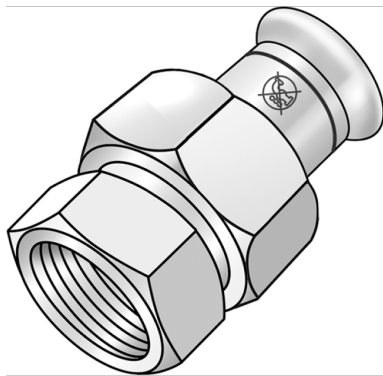


STEEL FIX EDELSTAHL

NPI466 STEELFIX industrial stainless steel press-fit union with female thread 22x3/4"

53842D04

Areas of application



Press-fit union with female thread conforming to EN 10226-1 made of stainless steel 1.4301, incl. EPDM sealing elements, d15-54 "leak before pressed"

Press contour: M

ATTENTION: NOT suitable for drinking water!

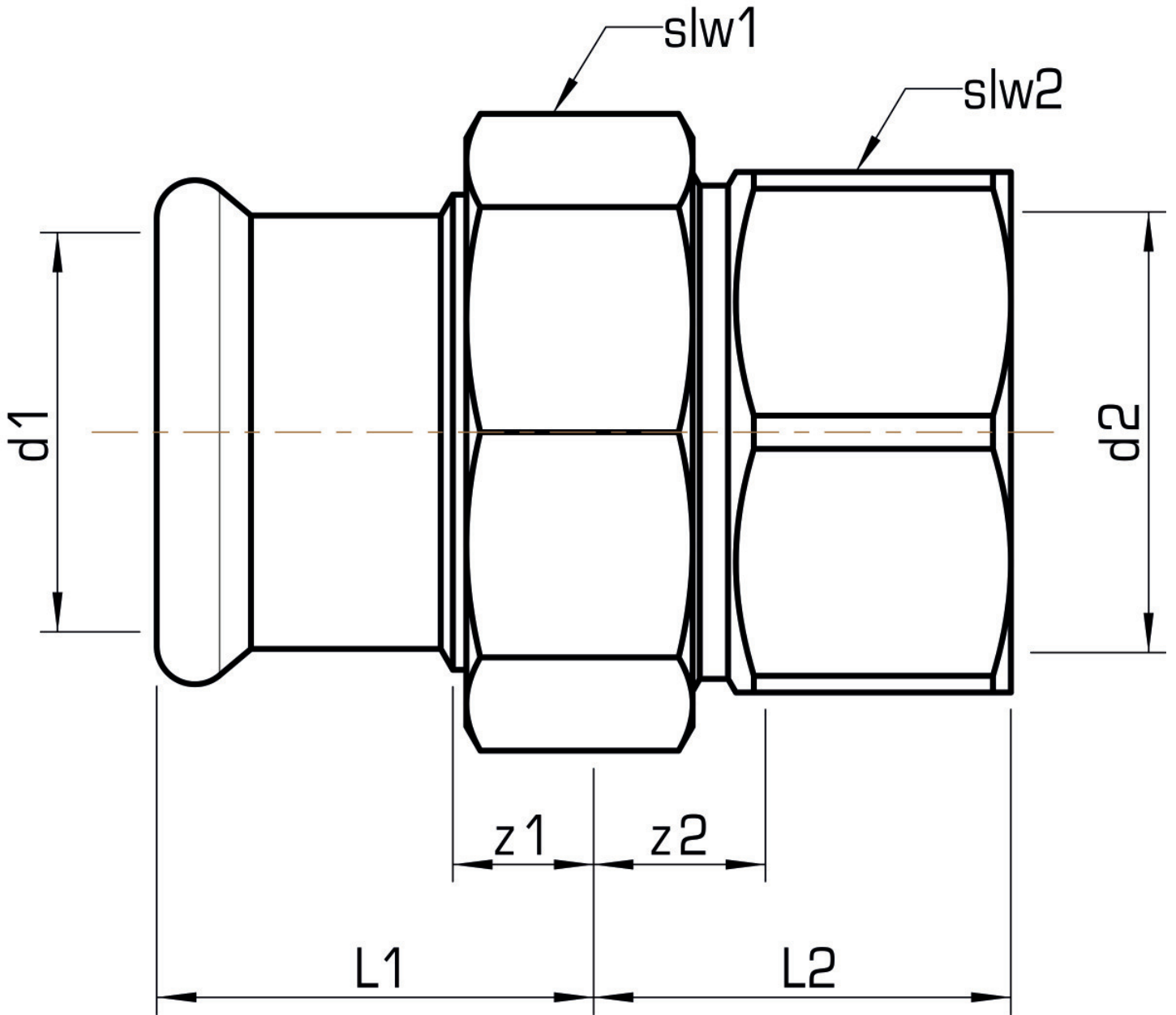
Specifications

Article information

port 1	Pressmuffe
port 2	Innengewinde zylindrisch BSPT-Rp (ISO 7-1 / EN 10226-1)
execution	1-teilig
design	gerade
press contour	M

Product information

VPE1	2,00 SA1
VPE2	40,00 KT1
weight	0,240 KGM
text	STEELFIX industrial stainless steel press-fit union with female thread
INTRNR	73072980
code	NPI466



Art. No	label	d2 Zoll	d1 mm	L1 mm	L2 mm	z1 mm	z2 mm	slw1 mm	slw2 mm
53842D04	22x3/4"	3/4 Zoll (20)	22	30	33	9	22	37	30