

# STEEL FIX EDELSTAHL

NPI471 STEELFIX industrial stainless steel press-fit cap 35

53835F00

## Areas of application



Press-fit cap made of stainless steel 1.4301, incl. EPDM sealing elements, d15-54 "leak before pressed"

Press contour: M

ATTENTION: NOT suitable for drinking water!

# Specifications

## Article information

**port 1** Pressmuffe

**press contour** M

## Product information

**VPE1** 5,00 SA1

**VPE2** 75,00 KT1

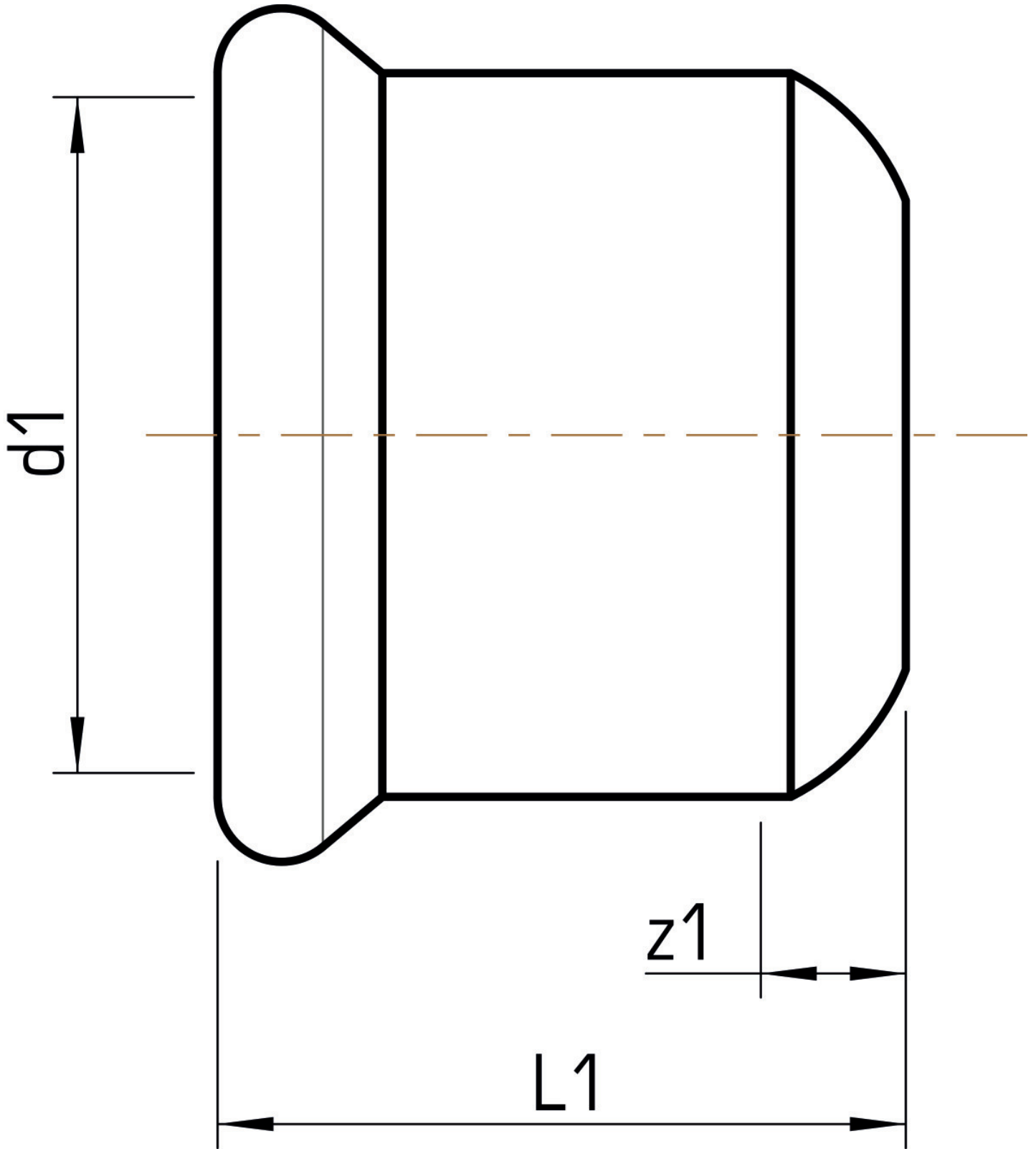
**VPE3** 1875,00 PAL

**weight** 0,070 KGM

**text** STEELFIX industrial stainless steel press-fit cap

**INTRNR** 73072980

**code** NPI471



Art. No	label	d1 mm	L1 mm	z1 mm
53835F00	35	35	29	3



**KE KELIT GmbH**

A 4020 Linz, Ignaz-Mayer-Straße 17, Austria, Europe

**PHONE** +43 (0) 50 779 **E-MAIL** [office@kekelit.com](mailto:office@kekelit.com)

[www.kekelit.com](http://www.kekelit.com)