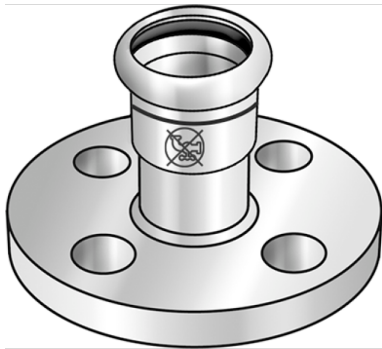


STEEL FIX EDELSTAHL

NPI486 STEELFIX industrial stainless steel press-fit adapter flange PN10/16 42-DN40 4-hole

53855G00

Areas of application



Press-adapter flange, flat-sealing made of 1.4301 stainless steel, depending on the size with flat or grooved sealing surface, incl. EPDM sealing elements, d15-54 "leak before pressed"

Hole circle dimensioning conforming to DIN 2501-PN16

Press contour: M

ATTENTION: NOT suitable for drinking water!

Specifications

Article information

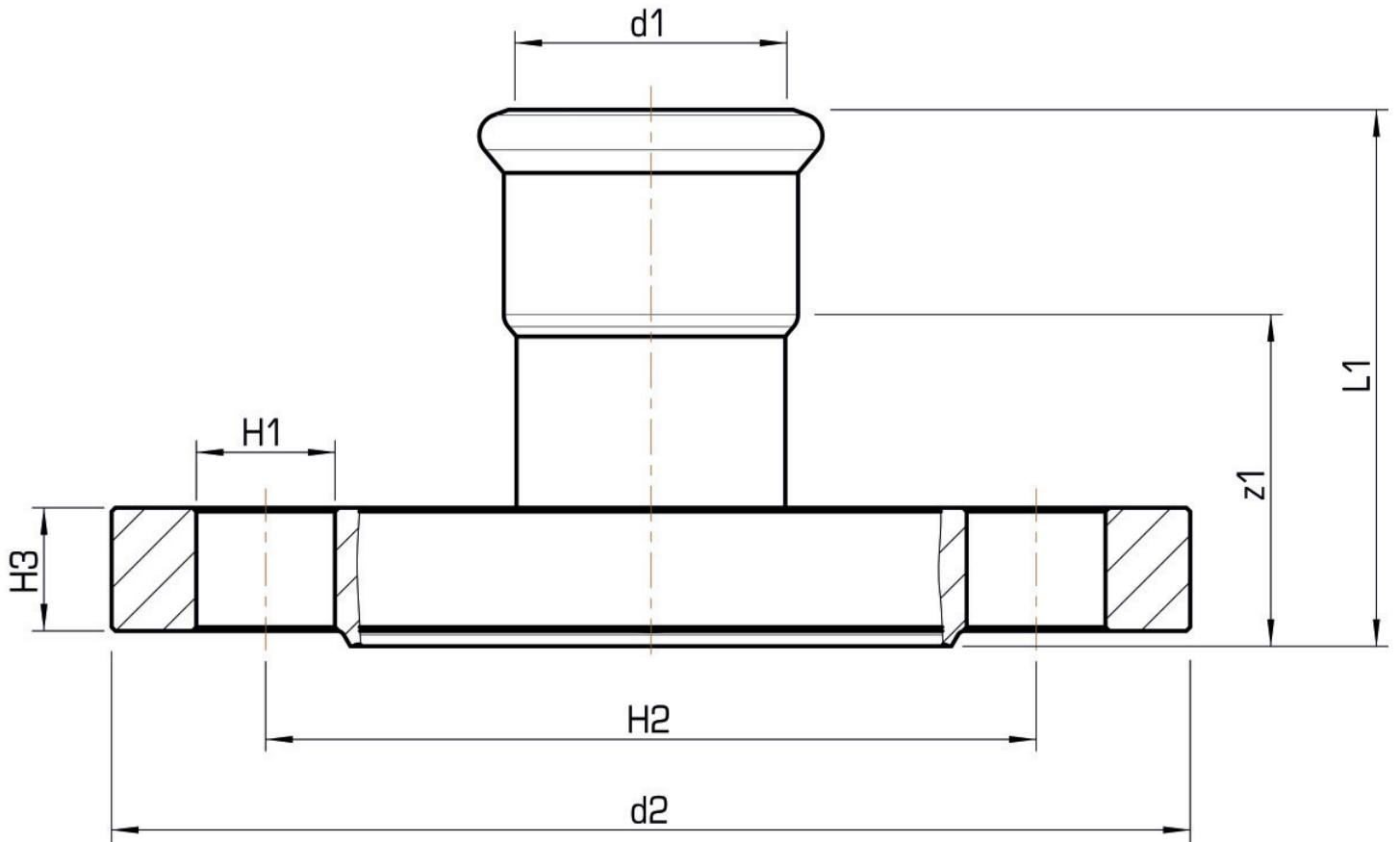
| | |
|---------------|------------|
| port 1 | Pressmuffe |
| port 2 | Flansch |
| execution | 1-teilig |
| design | gerade |
| press contour | M |

Technical properties

| | |
|----|-------|
| PN | PN 16 |
|----|-------|

Product information

| | |
|--------|---|
| VPE1 | 1,00 SA1 |
| VPE2 | 2,00 KT1 |
| VPE3 | 50,00 PAL |
| weight | 1,780 KGM |
| text | STEELFIX industrial stainless steel press-fit adapter flange PN10/16 |
| INTRNR | 73072980 |
| code | NPI486 |



| Art. No | label | d2 | d1 mm | L1 mm | z1 mm | pitch circle diameter mm |
|----------|----------------|-------|-------|-------|-------|--------------------------|
| 53855G00 | 42-DN40 4-hole | DN 40 | 42 | 91 | 61 | 110 |