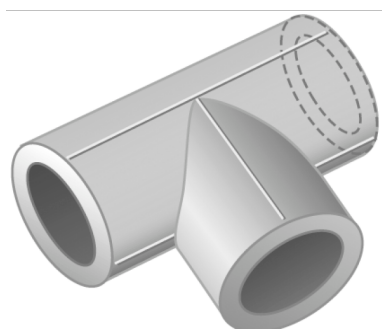


KELEN

KE30 KELEN PP-RCT equal tee 63

2564001

Areas of application



KELEN PP-RCT Polyfusion welding fitting for connecting pipes with fittings made of the same material (no reduction of internal diameter)

Approvals:



Specifications

Article information

port 1	Kunststoffschweißmuffe
port 2	Kunststoffschweißmuffe
port 3	Kunststoffschweißmuffe
execution	T-Stück
angle	90 °

Technical properties

maximum working pressure at 20 ° C	20 bar
------------------------------------	--------

Product information

VPE1	1,00 SA1
VPE2	7,00 KT1
VPE3	42,00 KT2
VPE4	672,00 PAL
weight	0,380 KGM
text	KELEN PP-RCT equal tee
INTRNR	39174000
main material group	KELEN
material group	KELEN plastic fittings
code	KE30



Art. No	label	d1 mm	d2 mm	d3 mm	L1 mm	L2 mm	L3 mm	z1 mm	z2 mm	z3 mm
2564001	63	63	63	63	66	66	66	36	36	36