

# KELEN

## KE00-LX4 KELEN PP-RCT LX-SENSO pipe - PN20 20x3.4

1520041

### Areas of application



KELEN PP-RCT SENSO drinking water pipe system conforming to ÖNORM EN ISO 15874 made of polypropylene (PP-RCT) with factory-installed 4mm soft-foam insulation, can be located electronically; outer layer consisting of woven tape fabric and viscoplastic polymer alloy

Application area: 20°C/20 bar - 70°C/10 bar

Length: 4m

## Approvals:



# Specifications

## Article information

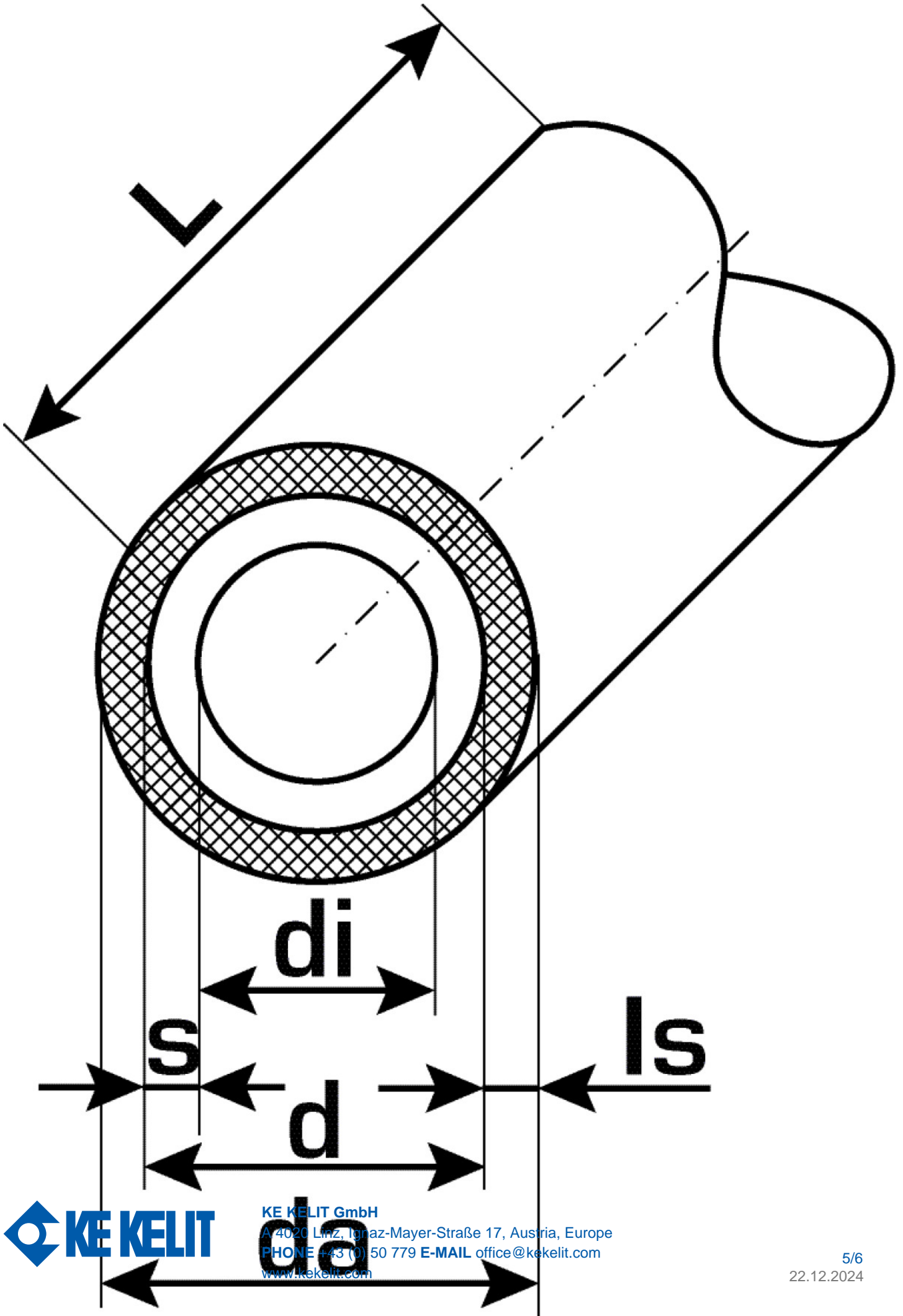
|               |          |
|---------------|----------|
| <b>port 1</b> | Rohrende |
| <b>port 2</b> | Rohrende |
| <b>color</b>  | grau     |

## Technical properties

|                              |               |
|------------------------------|---------------|
| <b>isolation thickness</b>   | 4 mm          |
| <b>pipe weight</b>           | 0,21 kg/m     |
| <b>pipe contents</b>         | 0,14 l/m      |
| <b>thermal conductivity</b>  | 0,039 W/(m.K) |
| <b>diameter inner tube</b>   | 20 mm         |
| <b>PN</b>                    | PN 16         |
| <b>wall rawness</b>          | 0,007 mm      |
| <b>expansion coefficient</b> | 0,15 mm/(m.K) |

## Product information

|                            |                                   |
|----------------------------|-----------------------------------|
| <b>DIM2</b>                | 13,2                              |
| <b>VPE1</b>                | 80,00 BND                         |
| <b>VPE2</b>                | 4000,00 HOB                       |
| <b>L</b>                   | 4 m                               |
| <b>weight</b>              | 0,204 KGM                         |
| <b>text</b>                | KELEN PP-RCT LX-SENSO pipe - PN20 |
| <b>INTRNR</b>              | 39172290                          |
| <b>main material group</b> | KELEN                             |
| <b>material group</b>      | KELEN-LX pipes                    |
| <b>code</b>                | KE00-LX4                          |



| Art. No | label  | d mm | d mm | d1 mm | pipe contents l/m | s mm |
|---------|--------|------|------|-------|-------------------|------|
| 1520041 | 20x3.4 | 13,2 | 13,2 | 20    | 0,14              | 3,4  |



**KE KELIT GmbH**

A 4020 Linz, Ignaz-Mayer-Straße 17, Austria, Europe

**PHONE** +43 (0) 50 779 **E-MAIL** office@kekelit.com

www.kekelit.com