

# KELEN

## KE31 KELEN PP-RCT tee with branch male 25x3/4"

2646001

### Areas of application



KELEN PP-RCT Polyfusion welding fitting for connecting pipes with fittings made of the same material (no reduction of internal diameter), with injected male thread made of dezincification-resistant brass, non-porous metal plating, thread conforms to ÖNORM EN 10226

System parts marked with an "S" are produced with a wrench attachment connection

## Approvals:



# Specifications

## Article information

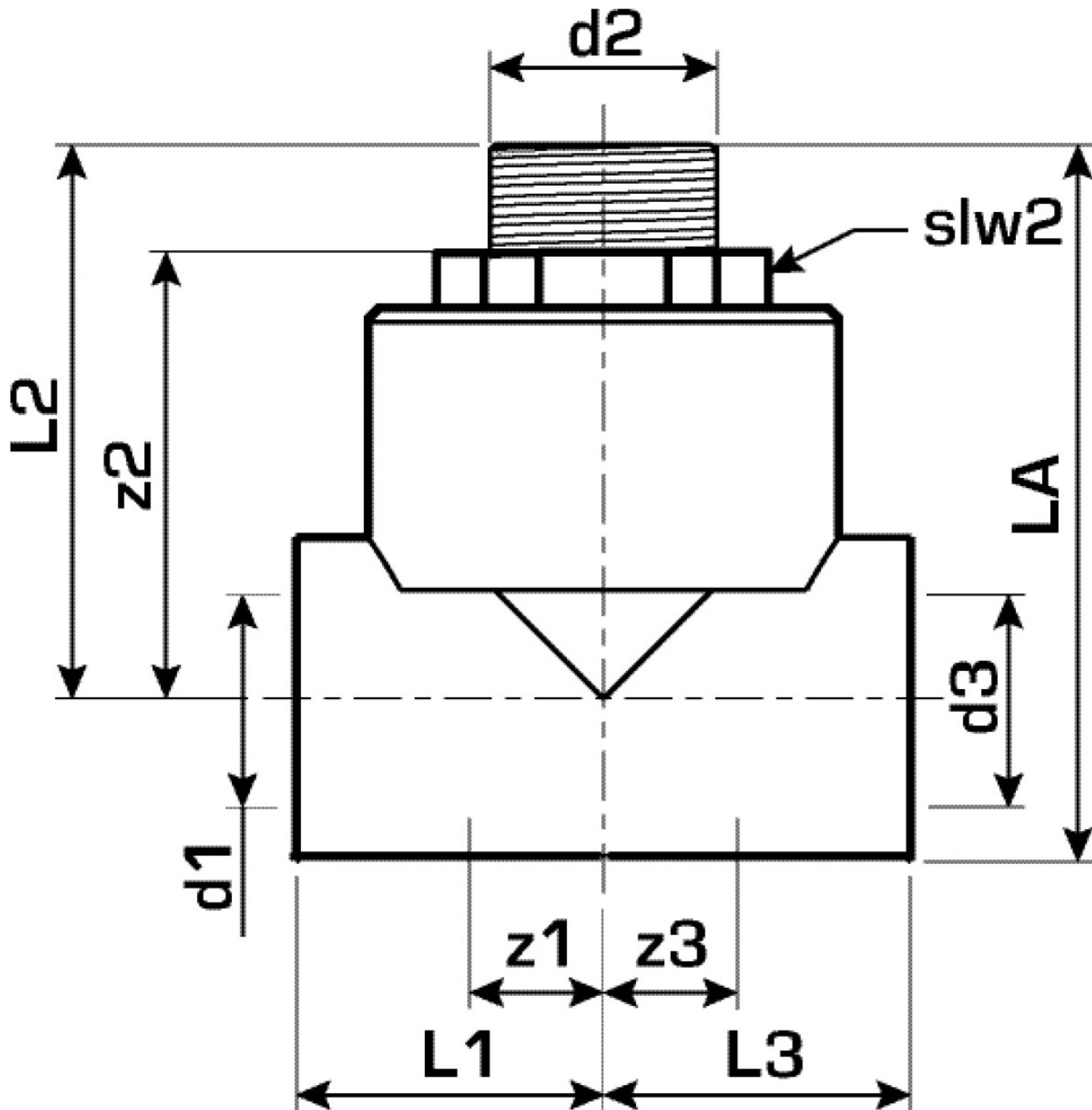
port 1	Kunststoffschweißmuffe
port 2	Außengewinde konisch (NPT)
port 3	Kunststoffschweißmuffe
execution	T-Stück
angle	90 °

## Technical properties

maximum working pressure at 20 ° C	20 bar
------------------------------------	--------

## Product information

VPE1	10,00 SA1
VPE2	40,00 KT1
VPE3	160,00 KT2
VPE4	3840,00 PAL
weight	0,158 KGM
text	KELEN PP-RCT tee with branch male
INTRNR	39174000
main material group	KELEN
material group	KELEN metal fittings
code	KE31



Art. No	label	d2	d1 mm	d3 mm	L1 mm	L1 mm	L2 mm	L3 mm	z1 mm	z2 mm	z3 mm
2646001	25x3/4"	3/4Zoll (20)	25	25	78	33	60	33	13	45	13



**KE KELIT GmbH**

A 4020 Linz, Ignaz-Mayer-Straße 17, Austria, Europe

**PHONE** +43 (0) 50 779 **E-MAIL** [office@kekelit.com](mailto:office@kekelit.com)

[www.kekelit.com](http://www.kekelit.com)