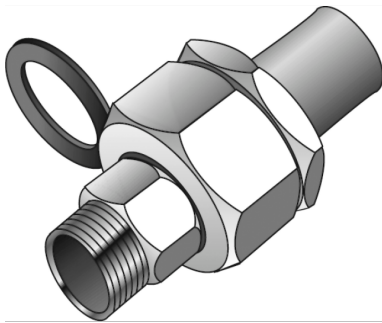


# KELEN

## KE55 KELEN PP-RCT union plastic/metal male 20x1/2"

2742001

### Areas of application



KELEN PP-RCT Polyfusion welding fitting, male, made from dezincification-resistant brass and non-porous metal-plating, flat sealing, incl. EPDM seal, thread conforms to ÖNORM EN 10226 plastic socket or EPDM seal separately available!

### Approvals:



KE KELIT GmbH

A 4020 Linz, Ignaz-Mayer-Straße 17, Austria, Europe

PHONE +43 (0) 50 779 E-MAIL [office@kekelit.com](mailto:office@kekelit.com)

[www.kekelit.com](http://www.kekelit.com)

# Specifications

## Article information

port 1	Kunststoffschweißmuffe
port 2	Außengewinde konisch (NPT)
design	gerade

## Product information

VPE1	5,00 SA1
VPE2	40,00 KT1
VPE3	160,00 KT2
VPE4	3840,00 PAL
weight	0,200 KGM
text	KELEN PP-RCT union plastic/metal male
INTRNR	39174000
main material group	KELEN
material group	KELEN metal fittings
code	KE55



Art. No	label	d2	d1 mm	L1 mm	L2 mm	z1 mm	z2 mm	slw1 mm	slw2
2742001	20x1/2"	1/2" (15)	20	42	33	25	21	36	36