

KELEN

KE83SP KELEN PP-RCT flush box elbow fitting 90° female 20x1/2"x15

2626501

Areas of application



KELEN PP-RCT Polyfusion welding fitting for connecting pipes with fittings made of the same material (no reduction of internal diameter), with injected female thread made of dezincification-resistant brass, non-porous metal plating, thread conforms to ÖNORM EN 10226, on the metal side extended by 15mm with male thread M28mm, seal and lock nut

Do NOT connect to threaded pipes or to cast iron fittings!

Approvals:



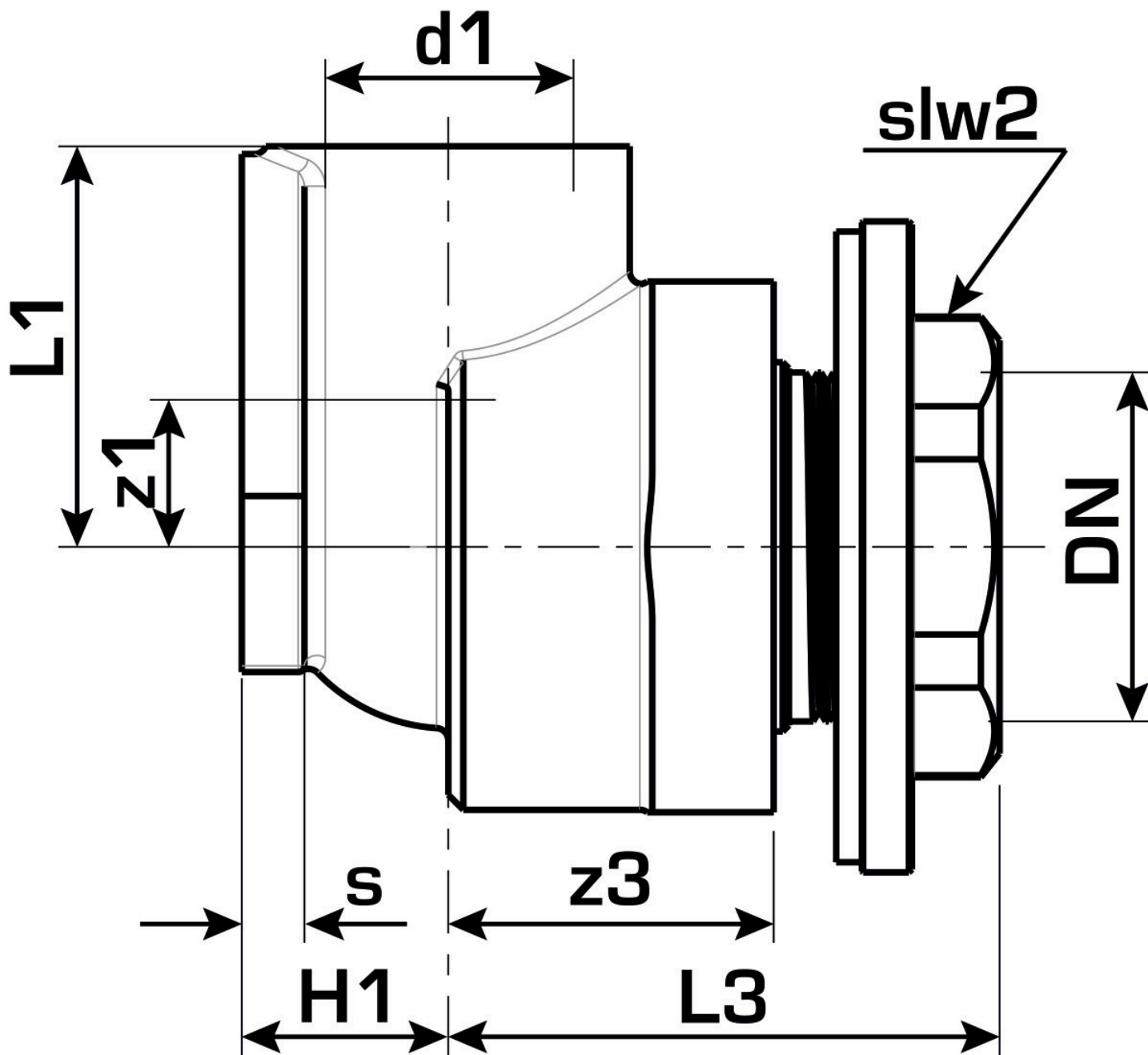
Specifications

Article information

port 1	Kunststoffschweißmuffe
design	Durchgängig rechtwinklig

Product information

VPE1	5,00 SA1
VPE2	30,00 KT1
VPE3	120,00 KT2
VPE4	2880,00 PAL
weight	0,186 KGM
text	KELEN PP-RCT flush box elbow fitting 90° female
INTRNR	39174000
main material group	KELEN
material group	KELEN metal fittings
code	KE83SP



Art. No	label	d1 mm	L1 mm	L3 mm	z1 mm	z3 mm	slw2 mm
2626501	20x1/2"x15	20	27,5	48,5	11	34	31