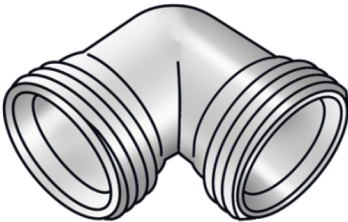


# KELOX

## KM320E KELOX threaded elbow 90° 3/4"

7706720

### Areas of application



Elbow, non-porous metallised brass with two male threads suitable for KM220 euro thread fitting

### Approvals:



# Specifications

## Article information

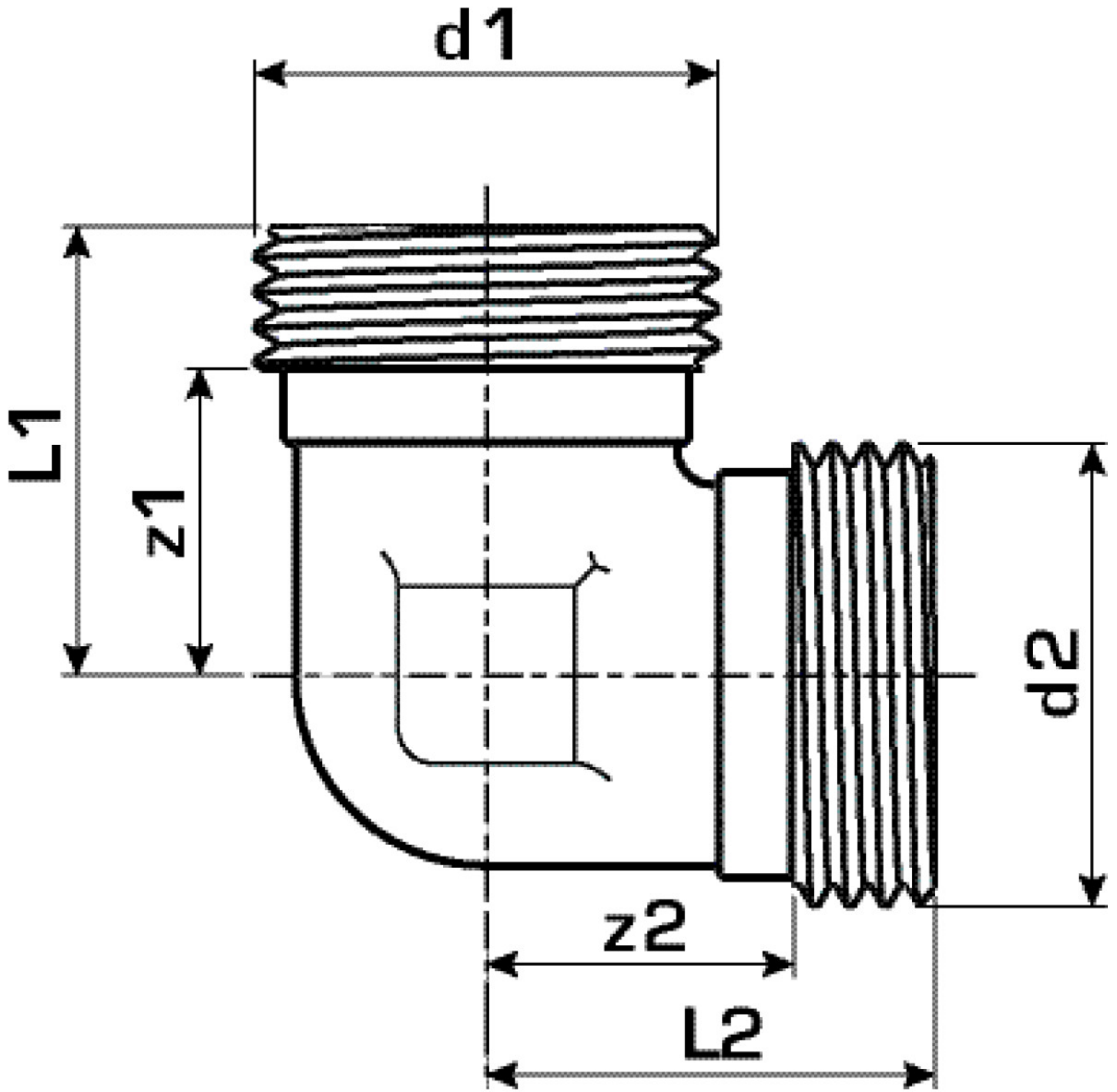
port 1	Male thread, conical (NPT)
port 2	Male thread metric
execution	Miscellaneous
design	Knee
angle	90 °

## Technical properties

maximum working pressure at 20 ° C	10 bar
------------------------------------	--------

## Product information

VPE1	10,00 KT1
weight	0,071 KGM
text	KELOX threaded elbow 90°
INTRNR	74122000
main material group	KELOX
material group	KELOX screw fittings
code	KM320E



Art. No	label	d1 Inches	d2	L1 mm	L2 mm	z1 mm	z2 mm
7706720	3/4"	3/4" (20)	3/4 Zoll (20)	26	26	18	18