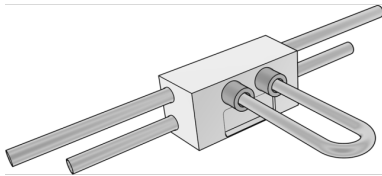


# KELOX

## BF602T KELOX dry construction radiator tee box 20x20

9009210

### Areas of application



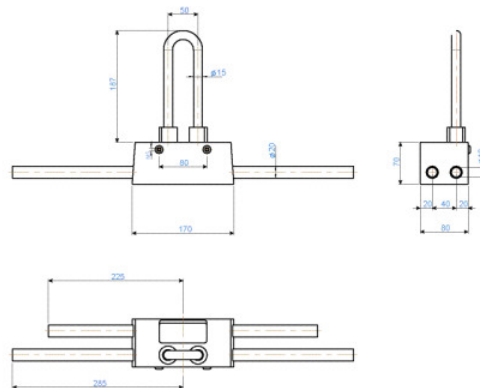
Insulating wall block for valve radiators; to be installed in dry construction, incl. inlaid KELOX multilayer pipes for installation in wall area on one side between the feed line and return line, joined non-porous metallised copper pipes d15mm for later connection of the radiators, feed line at top

ATTENTION: Follow the installation instructions of the screw fitting manufacturers and if necessary use support sleeves for copper connections

Installation dimensions: W: 140mm, H: 80mm, D: 70mm

# Specifications

Product information	
VPE1	1,00 SA1
VPE2	10,00 KT1
weight	0,540 KGM
text	KELOX dry construction radiator tee box
INTRNR	39174000
main material group	KELOX
material group	KELOX accessories
code	BF602T



Art. No	label
9009210	20x20