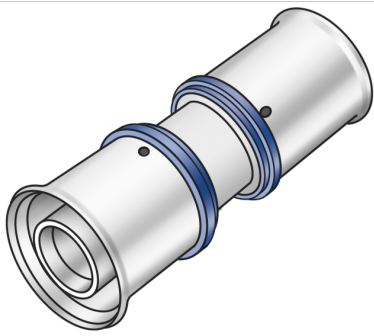


# KELOX

## KMU410 KELOX-ULTRAX coupling 32/32

71100FF0

### Areas of application



Press coupling equal or reduced, made of non-porous metallised brass, incl. support sleeves with O-rings and stainless steel press-fit sleeves, "leak before pressed"

### Approvals:



KE KELIT GmbH

A 4020 Linz, Ignaz-Mayer-Straße 17, Austria, Europe

PHONE +43 (0) 50 779 E-MAIL [office@kekelit.com](mailto:office@kekelit.com)

[www.kekelit.com](http://www.kekelit.com)

# Specifications

## Article information

|               |                 |
|---------------|-----------------|
| port 1        | Pressing socket |
| port 2        | Pressing socket |
| execution     | 1-part          |
| design        | Straight        |
| press contour | U               |

## Technical properties

|                                    |        |
|------------------------------------|--------|
| maximum working pressure at 20 ° C | 10 bar |
|------------------------------------|--------|

## Product information

|                     |                             |
|---------------------|-----------------------------|
| VPE1                | 10,00 SA1                   |
| VPE2                | 60,00 KT1                   |
| weight              | 0,170 KGM                   |
| text                | KELOX-ULTRAX coupling       |
| INTRNR              | 74122000                    |
| main material group | KELOX                       |
| material group      | KELOX-ULTRAX metal fittings |
| code                | KMU410                      |



| Art. No  | label | d1 mm | d2 mm | L1 mm | L2 mm | z1 mm | z2 mm |
|----------|-------|-------|-------|-------|-------|-------|-------|
| 71100FF0 | 32/32 | 32    | 32    | 36    | 36    | 2     | 2     |