

# KELOX

## KMU440 KELOX-ULTRAX tee 50/40/50

71110HGH

### Areas of application



Press-fit tee equal or reduced, made of non-porous metallised brass, incl. support sleeves with O-rings and stainless steel press-fit sleeves, "leak before pressed"

### Approvals:



# Specifications

## Article information

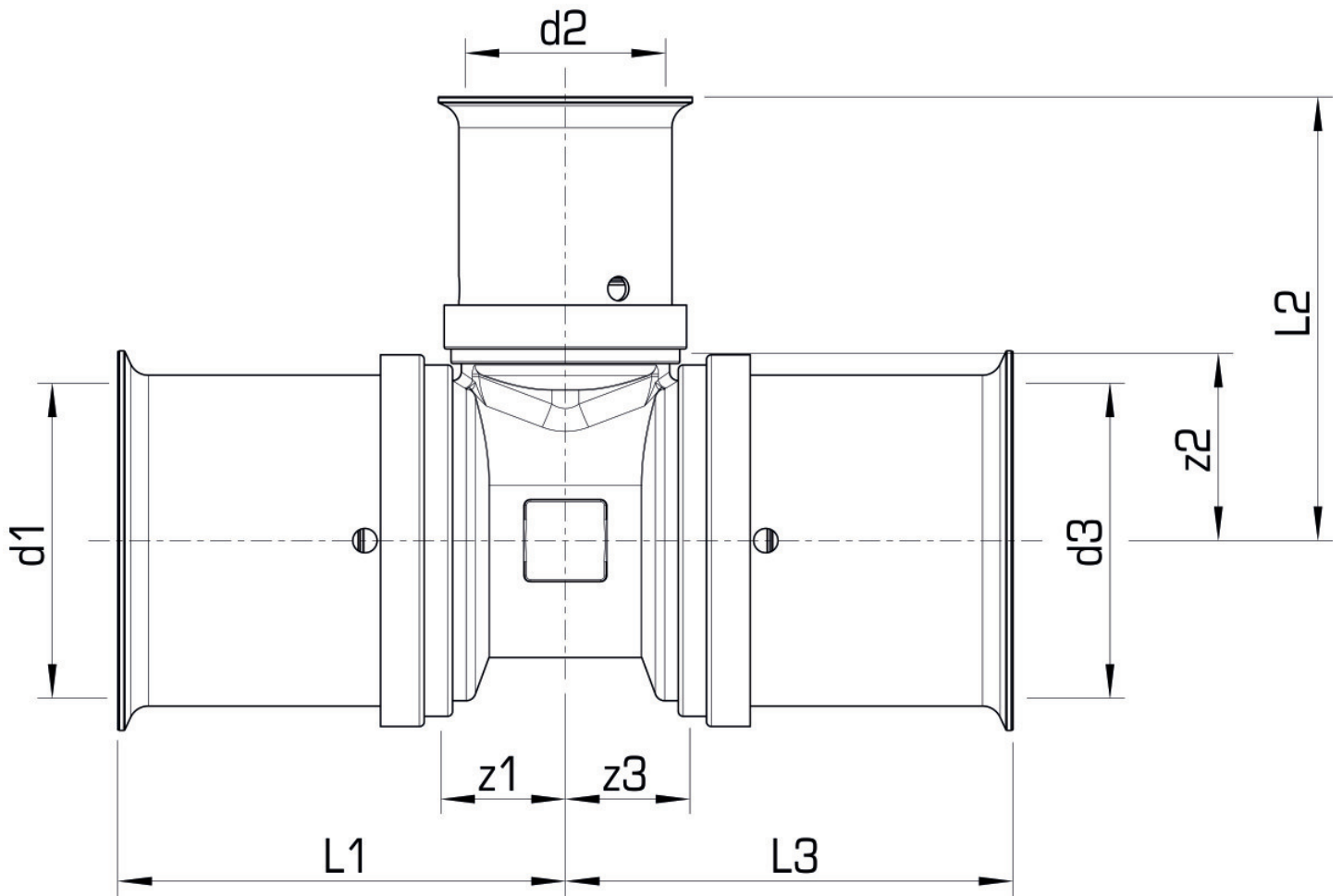
port 1	Pressing socket
port 2	Pressing socket
port 3	Pressing socket
execution	Tee piece
angle	90 °
press contour	U

## Technical properties

maximum working pressure at 20 ° C	16 bar
------------------------------------	--------

## Product information

VPE1	1,00 SA1
VPE2	10,00 KT1
weight	0,703 KGM
text	KELOX-ULTRAX tee
INTRNR	74122000
main material group	KELOX
material group	KELOX-ULTRAX metal fittings
code	KMU440



Art. No	label	d1 mm	d2 mm	d3 mm	L1 mm	L2 mm	L3 mm	z1 mm	z2 mm	z3 mm
71110HGI	50/40/50	50	40	50	76	74	76	31	27,5	31