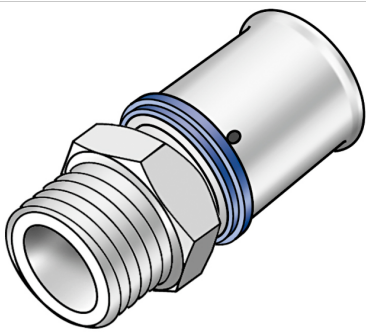


KELOX

KMU450 KELOX-ULTRAX adapter male 50x6/4"

71202H07

Areas of application



Press adapter with male thread for sealing, made of non-porous metallised brass, incl. support sleeves with O-rings and stainless steel press-fit sleeves, "leak before pressed"

Approvals:



KE KELIT GmbH

A 4020 Linz, Ignaz-Mayer-Straße 17, Austria, Europe

PHONE +43 (0) 50 779 E-MAIL office@kekelit.com

www.kekelit.com

Specifications

Article information

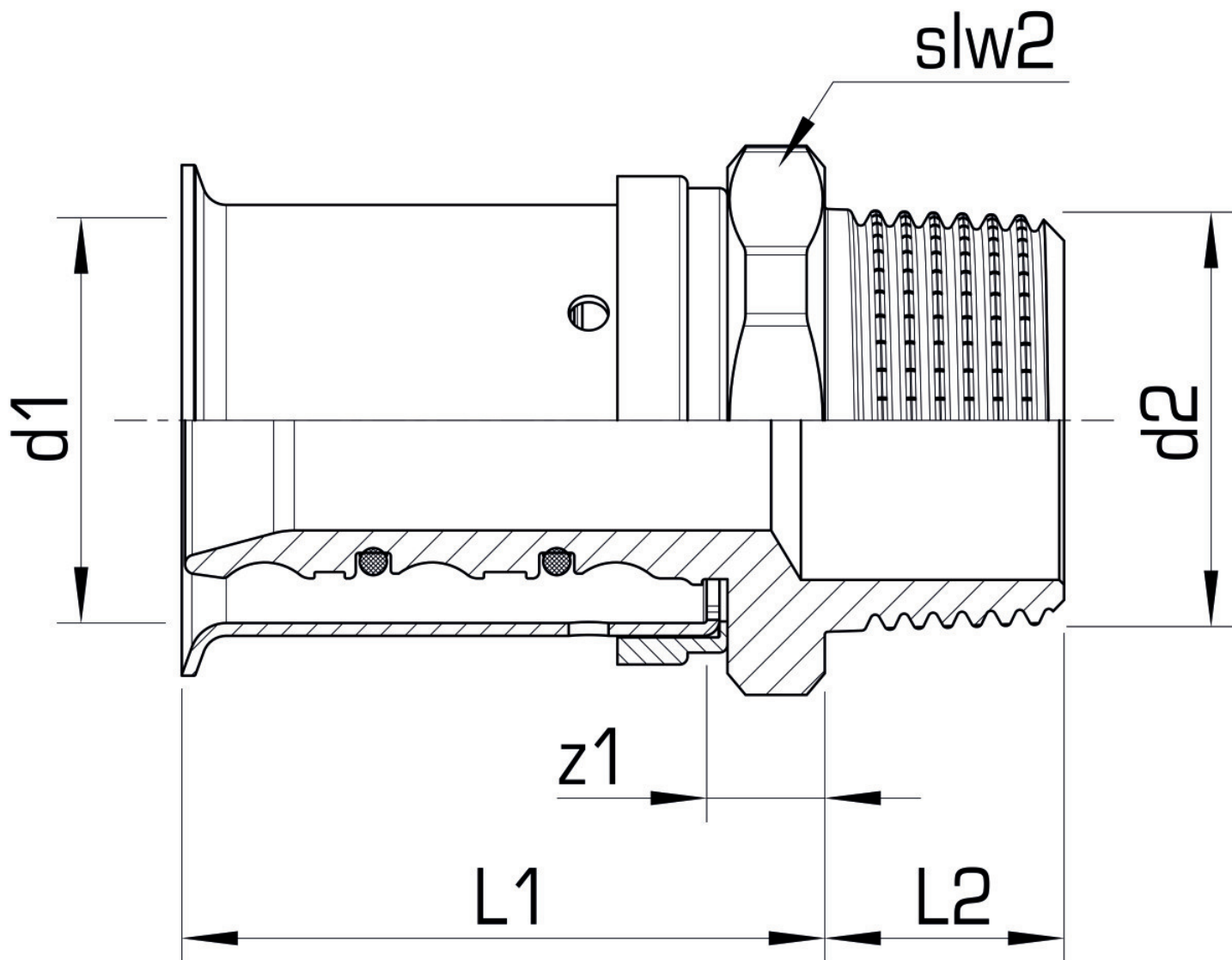
port 1	Pressing socket
port 2	Male thread, conical (NPT)
execution	1-part
design	Straight
press contour	U

Technical properties

maximum working pressure at 20 ° C	10 bar
------------------------------------	--------

Product information

VPE1	1,00 SA1
VPE2	25,00 KT1
weight	0,437 KGM
text	KELOX-ULTRAX adapter male
INTRNR	74122000
main material group	KELOX
material group	KELOX-ULTRAX metal fittings
code	KMU450



Art. No	label	d2 Inches	d1 mm	L1 mm	L2 mm	z1 mm	slw1 mm	slw2 mm
71202H07	50x6/4"	1 1/2"	50	58	19	15	55	55