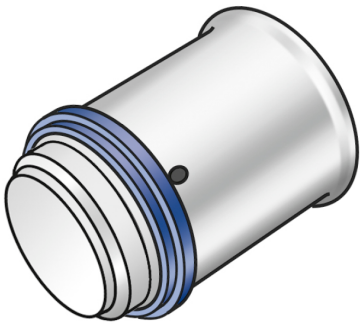


# KELOX

## KMU471 KELOX-ULTRAX end cap 20

71120D00

### Areas of application



?Press-fit end cap, made of non-porous metallised brass, incl. support sleeves with O-rings and stainless steel pressing sleeves, "leak before pressed"

### Approvals:



# Specifications

## Article information

**port 1** Pressing socket

**press contour** U

## Product information

**VPE1** 10,00 SA1

**VPE2** 200,00 KT1

**weight** 0,041 KGM

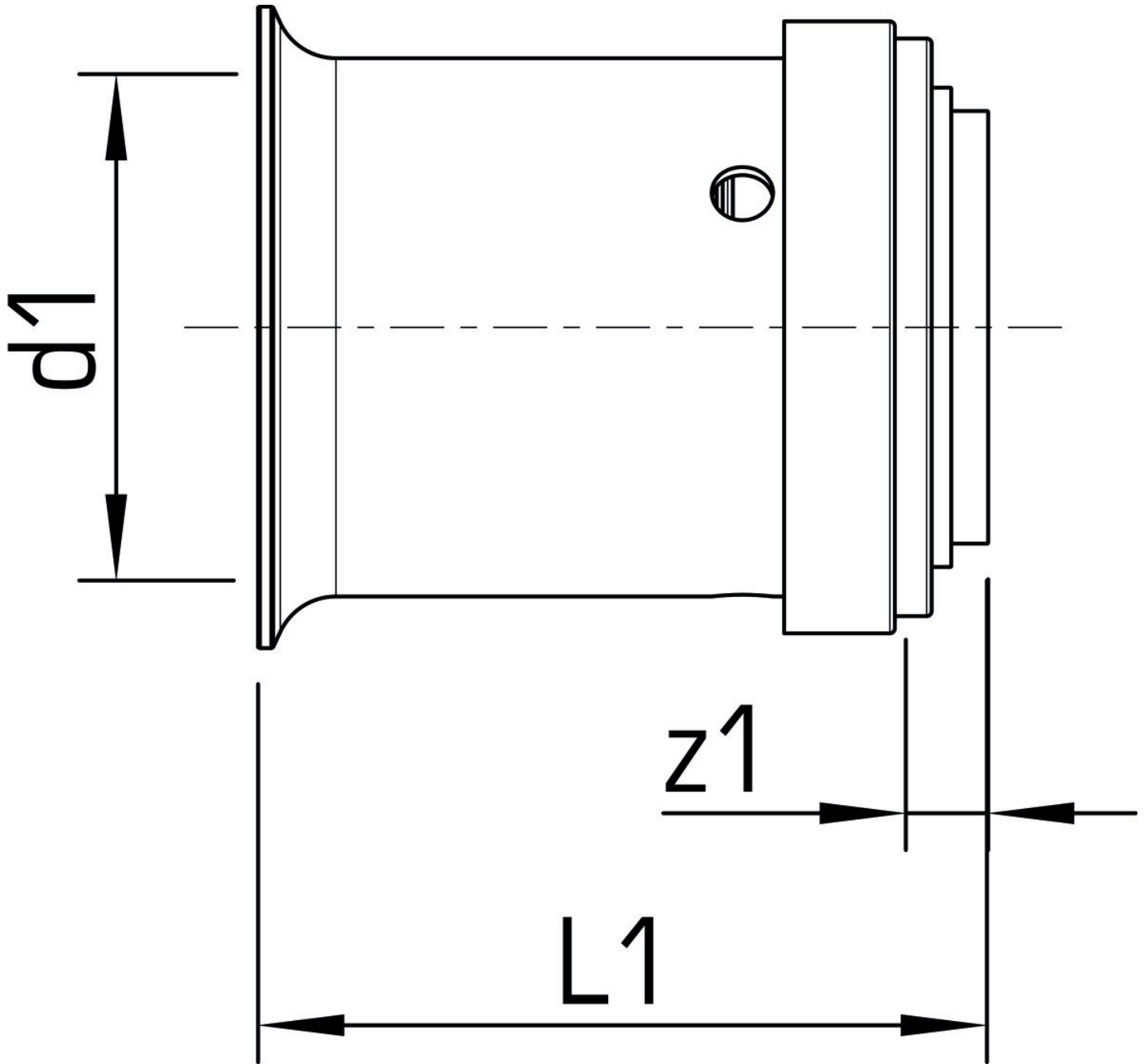
**text** KELOX-ULTRAX end cap

**INTRNR** 74122000

**main material group** KELOX

**material group** KELOX-ULTRAX metal fittings

**code** KMU471



Art. No	label	d1 mm	L1 mm	z1 mm
71120D00	20	20	24	7