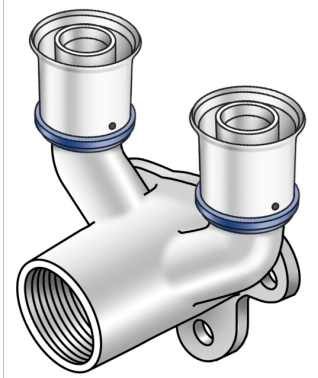


# KELOX

## KMU477 KELOX-ULTRAX double U wall bracket fitting with female thread 16x1/2"

71254B2B

### Areas of application



Press-fit double-U wall bracket fitting with female thread made from non-porous metallised brass, including support sleeves with O-rings and stainless steel press-fit sleeves, "leak before pressed"

Overall height:

1/2" - 46.5mm

DO NOT screw in threaded pipes and cast iron fittings!

## Approvals:



# Specifications

## Article information

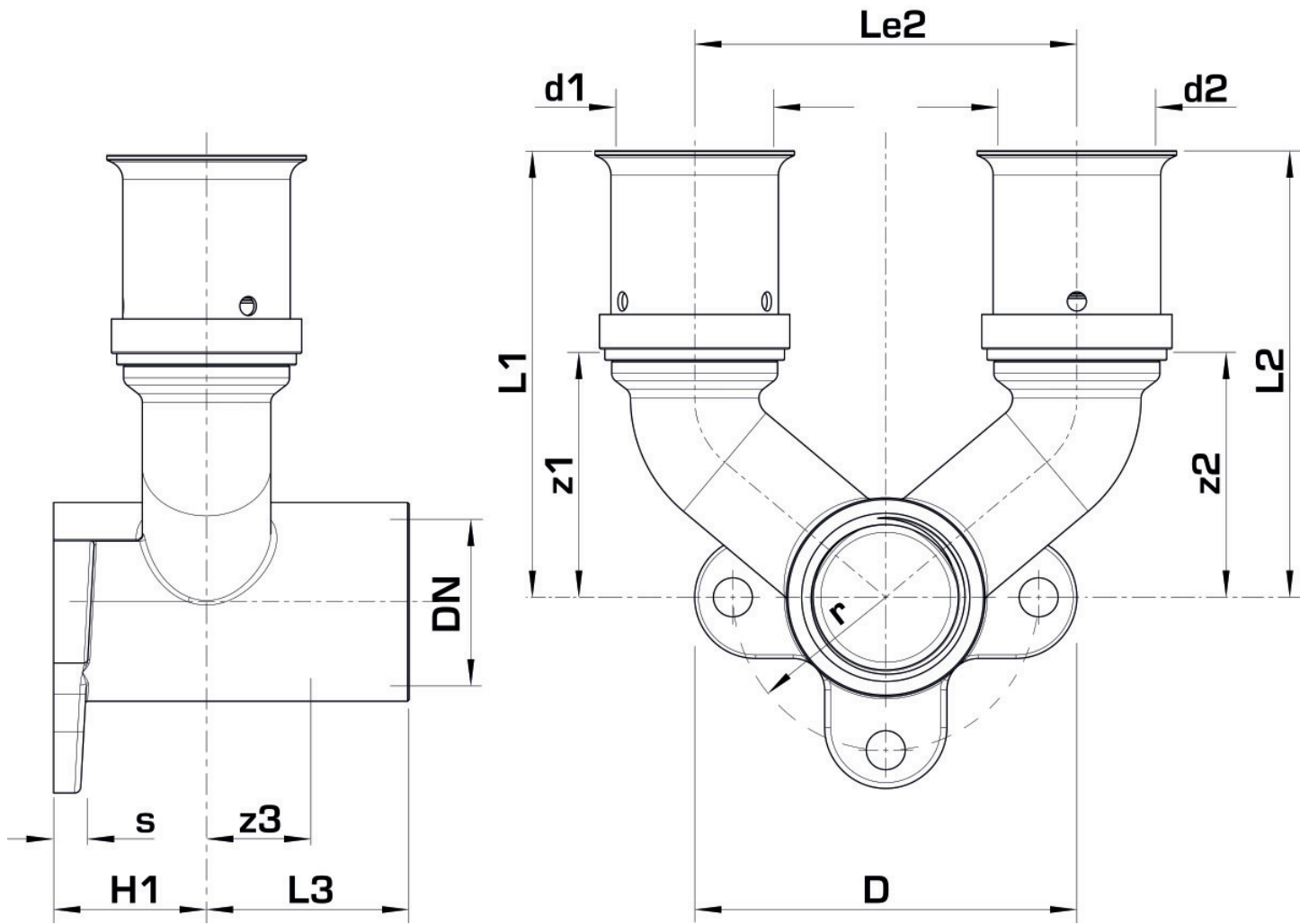
|               |                           |
|---------------|---------------------------|
| port 1        | Pressing socket           |
| design        | Continuously right-angled |
| press contour | U                         |

## Technical properties

|                                    |        |
|------------------------------------|--------|
| maximum working pressure at 20 ° C | 10 bar |
|------------------------------------|--------|

## Product information

|                     |   |
|---------------------|---|
| VPE1                | 10,00 SA1   |
| VPE2                | 50,00 KT1   |
| weight              | 0,246 KGM   |
| text                | KELOX-ULTRAX double U wall bracket fitting with female thread |
| INTRNR              | 74122000  |
| main material group | KELOX   |
| material group      | KELOX-ULTRAX metal fittings                                   |
| code                | KMU477  |



| Art. No  | label   | d1 mm | L1 mm | L2 mm | L3 mm | z1 mm | z2 mm | z3 mm |
|----------|---------|-------|-------|-------|-------|-------|-------|-------|
| 71254B2B | 16x1/2" | 16    | 57    | 27    | 26,5  | 35    | 10    | 25,5  |