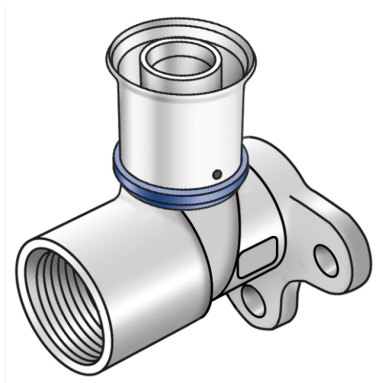


KELOX

KMU480Z KELOX-ULTRAX zeta wall bracket fitting 90° female 20x1/2"

71252D02

Areas of application



Zeta value-optimised press-fit wall bracket fitting with female thread made from non-porous metallised brass, including support sleeves with O-rings and stainless steel press-fit sleeves, "leak before pressed"

Overall height:

1/2" - 46.5mm

DO NOT screw in threaded pipes and cast iron fittings!

Approvals:



Specifications

Article information

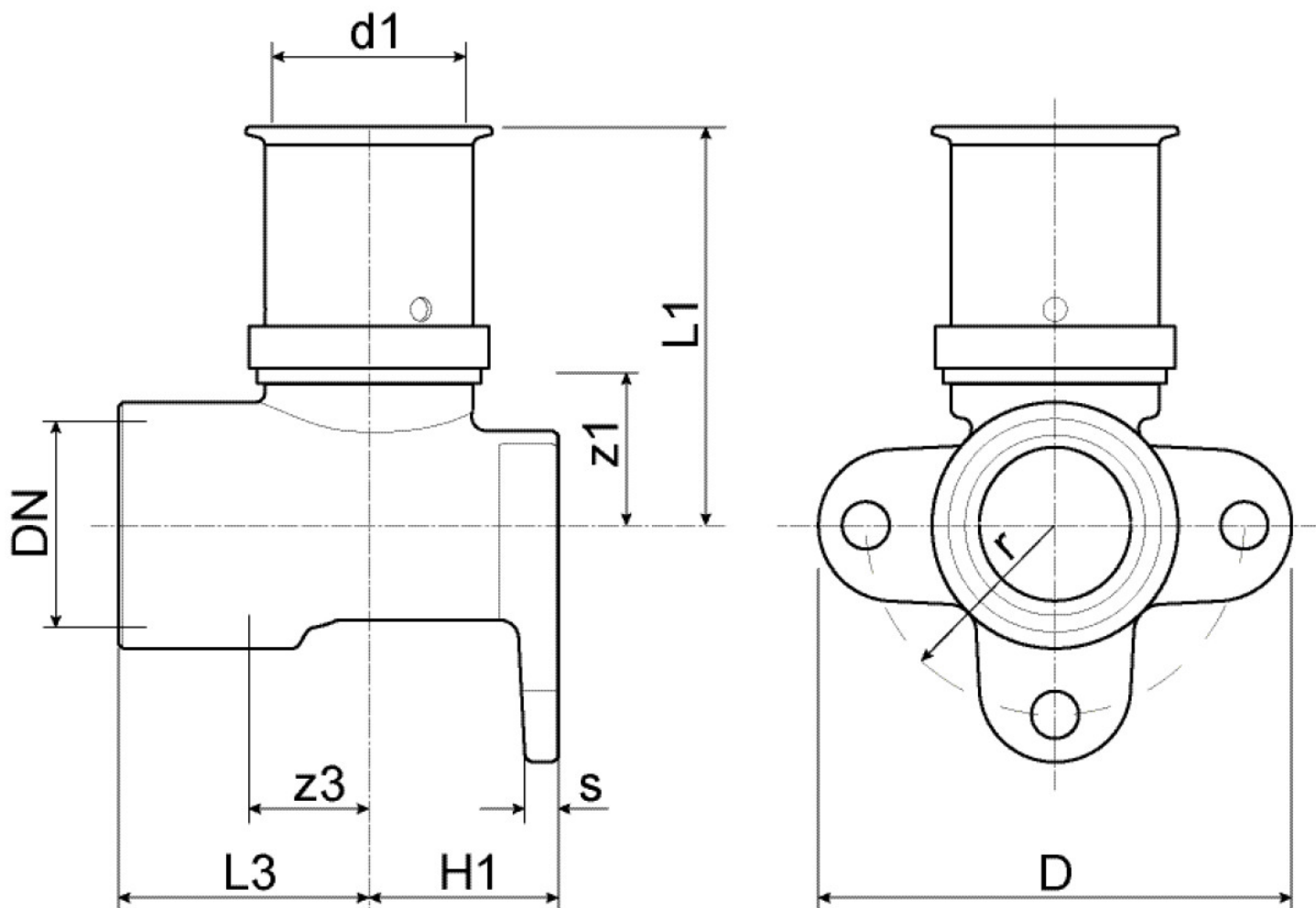
| | |
|---------------|---------------------------|
| port 1 | Pressing socket |
| design | Continuously right-angled |
| press contour | U |

Technical properties

| | |
|------------------------------------|--------|
| maximum working pressure at 20 ° C | 10 bar |
|------------------------------------|--------|

Product information

| | |
|---------------------|---|
| VPE1 | 10,00 SA1 |
| VPE2 | 100,00 KT1 |
| weight | 0,138 KGM |
| text | KELOX-ULTRAX zeta wall bracket fitting 90° female |
| INTRNR | 74122000 |
| main material group | KELOX |
| material group | KELOX-ULTRAX metal fittings |
| code | KMU480Z |



| Art. No | label | d1 mm | L1 mm | L2 | L3 mm | z1 mm | z2 | z3 mm |
|----------|---------|-------|-------|------|-------|-------|----|-------|
| 71252D02 | 20x1/2" | 20 | 42,5 | 26,5 | 26 | 17 | 15 | 11 |