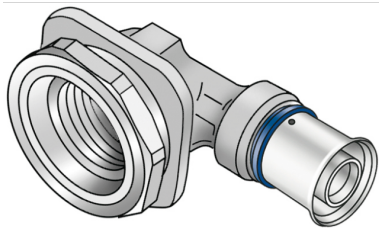


# KELOX

## KMU482 KELOX-ULTRAX UPS elbow adapter 90° female 16x1/2"

71253B02

### Areas of application



Press fitting cistern elbow with female thread and locknut, made of non-porous metallised brass; including support sleeves with O-rings and stainless steel press-fit sleeves; "leak before pressed"  
DO NOT screw in any threaded pipes and cast iron fittings!

### Approvals:



# Specifications

## Article information

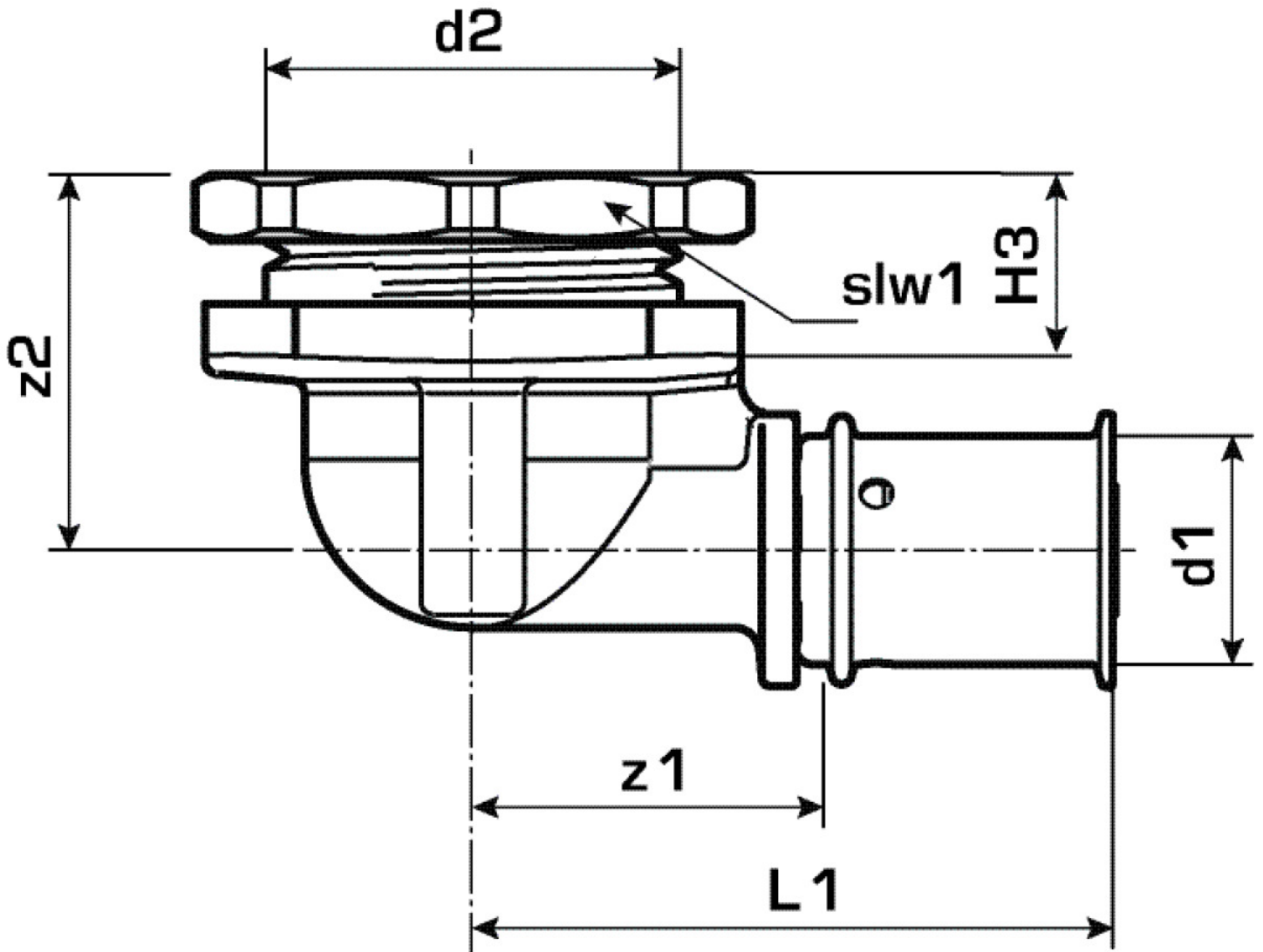
port 1	Pressing socket
port 2	Female thread cylindrical BSPT-Rp (ISO 7-1)
execution	2-part
design	Knee
angle	90 °
press contour	U

## Technical properties

maximum working pressure at 20 ° C	10
------------------------------------	----

## Product information

VPE1	10,00 SA1
VPE2	80,00 KT1
weight	0,156 KGM
text	KELOX-ULTRAX UPS elbow adapter 90° female
INTRNR	74122000
main material group	KELOX
material group	KELOX-ULTRAX metal fittings
code	KMU482



Art. No	label	d2 Inches	d1 mm	L1 mm	z1 mm	z2 mm	slw1 mm
71253B02	16x1/2"	1/2" (15)	16	48,5	26	29,5	38