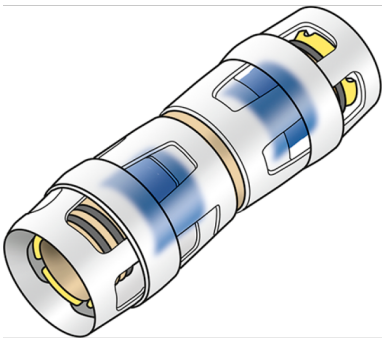


KELOX

KMP410 ?KELOX-PROTEC coupling 20/20

73100DD0

Areas of application



?Push-in coupling equal or reduced, made of dezincification-resistant brass (DZR), incl. push-on sleeve made of transparent polyamide, pull-out barriers and a protector ring as insertion locking device

Approvals:



Specifications

Article information

port 1	Plug-in
port 2	Plug-in
execution	Miscellaneous
design	Straight

Technical properties

maximum working pressure at 20 ° C	10 bar
------------------------------------	--------

Product information

VPE1	10,00 SA1
VPE2	140,00 KT1
weight	0,062 KGM
text	?KELOX-PROTEC coupling
INTRNR	74122000
main material group	KELOX
material group	KELOX-PROtec pushfittings
code	KMP410



Art. No	label	d1 mm	d2 mm	L1 mm	L2 mm	z1 mm	z2 mm
73100DD0	20/20	20	20	36	36	3	3