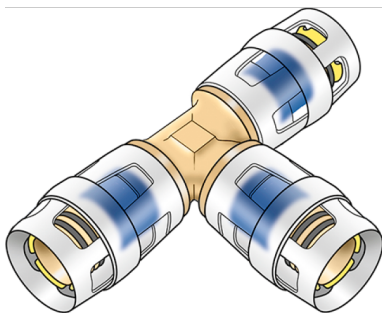


# KELOX

## KMP440 ?KELOX-PROTEC tee piece 16/20/16

73110BDB

### Areas of application



?Push-in tee equal or reduced, made of dezincification-resistant brass (DZR), incl. push-on sleeve made of transparent polyamide, O-rings, pull-out barriers and a protector ring as an insertion locking device

### Approvals:



KE KELIT GmbH

A 4020 Linz, Ignaz-Mayer-Straße 17, Austria, Europe

PHONE +43 (0) 50 779 E-MAIL [office@kekelit.com](mailto:office@kekelit.com)

[www.kekelit.com](http://www.kekelit.com)

# Specifications

## Article information

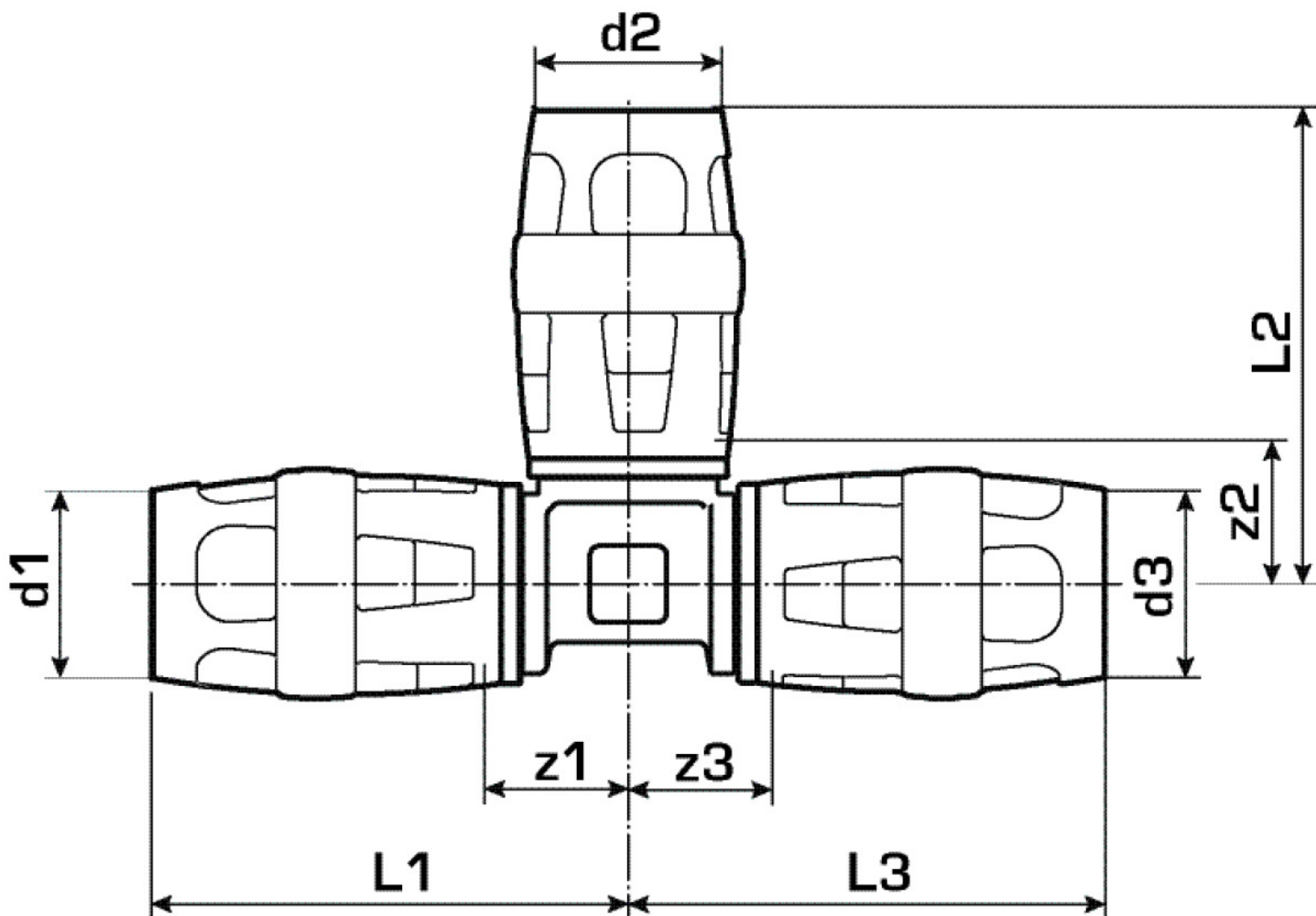
port 1	Plug-in
port 2	Plug-in
port 3	Plug-in
execution	Tee piece
angle	90 °

## Technical properties

maximum working pressure at 20 ° C	10 bar
------------------------------------	--------

## Product information

VPE1	10,00 SA1
VPE2	80,00 KT1
weight	0,131 KGM
text	?KELOX-PROTEC tee piece
INTRNR	74122000
main material group	KELOX
material group	KELOX-PROtec pushfittings
code	KMP440



Art. No	label	d1 mm	d2 mm	d3 mm	L1 mm	L2 mm	L3 mm	z1 mm	z2 mm	z3 mm
73110BDE	16/20/16	16	20	16	48,5	48,5	48,5	15,5	15,5	15,5