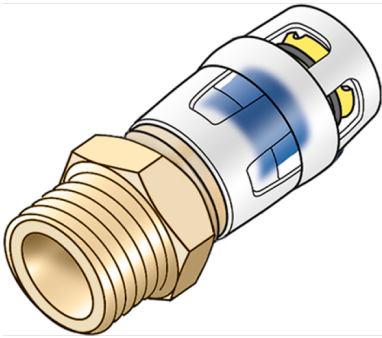


KELOX

KMP450 ?KELOX-PROTEC adapter with male thread 32x1/2"

73202F02

Areas of application



?Plug-in adapter with male thread for sealing, made of dezincification-resistant brass (DZR), incl. push-on sleeve made of transparent polyamide, O-rings, withdrawal barriers and protector ring as an insertion locking device

Approvals:



Specifications

Article information

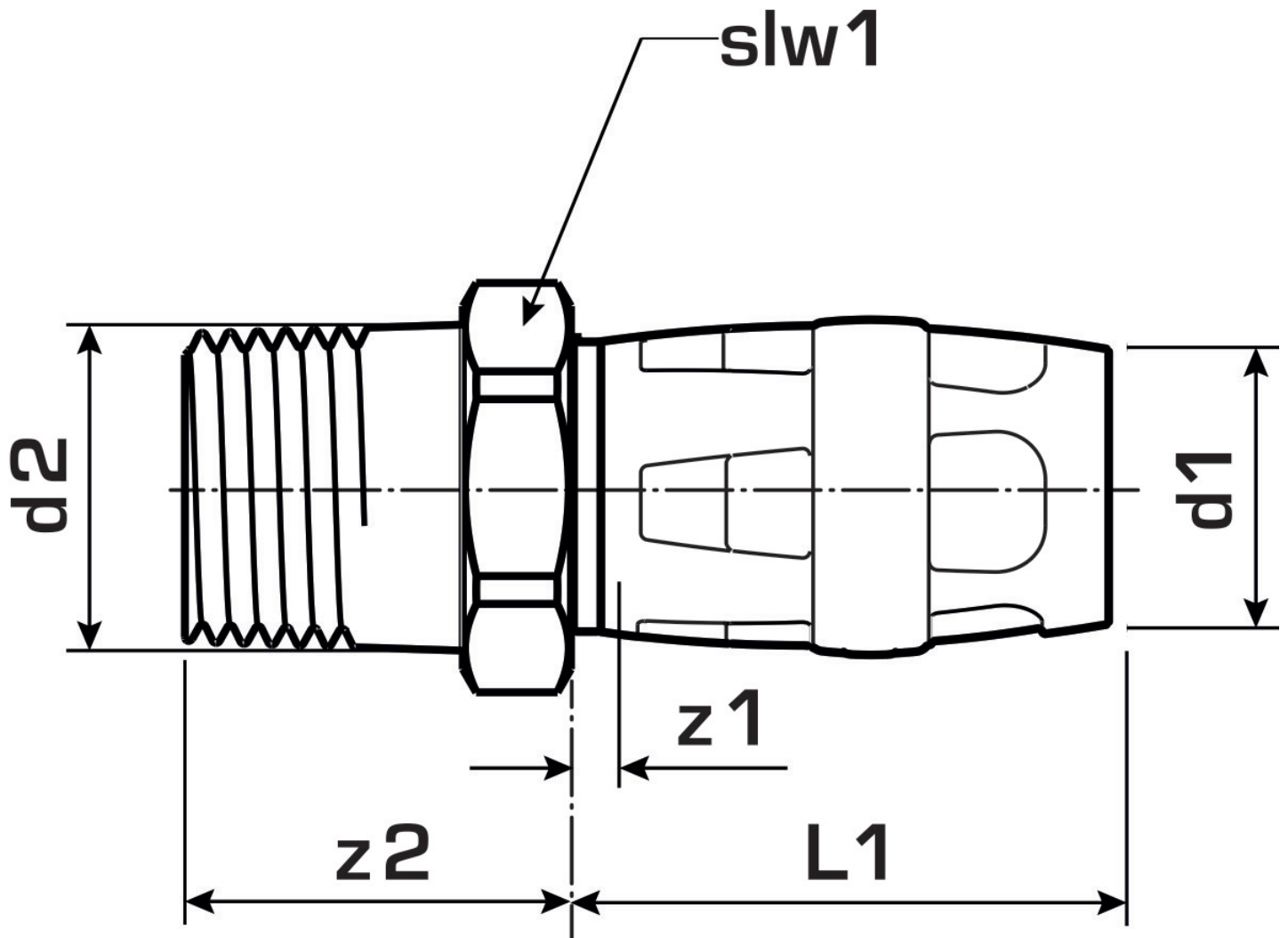
port 1	Plug-in
port 2	Female thread cylindrical BSPT-Rp (ISO 7-1)
execution	Miscellaneous
design	Straight

Technical properties

maximum working pressure at 20 ° C	10 bar
------------------------------------	--------

Product information

VPE1	10,00 SA1
VPE2	60,00 KT1
weight	0,210 KGM
text	?KELOX-PROTEC adapter with male thread
INTRNR	74122000
main material group	KELOX
material group	KELOX-PROtec pushfittings
code	KMP450



Art. No	label	d2	d1 mm	L1 mm	z1 mm	z2 mm	slw1 mm
73202F02	32x1/2"	3/4" (20)	32	31	3,5	39	30