

# KELOX

## KMP455 KELOX-PROTEC union with female thread 25x1"

73203E05

### Areas of application



Plug-in screw fitting with female thread for connecting to fittings, e.g. filters, manifolds, pumps,.....  
made of dezincification-resistant brass (DZR), incl. push-on sleeve made of transparent polyamide,  
O-rings, withdrawal barriers and protector ring as insertion locking device; flat-sealing including seal

### Approvals:



# Specifications

## Article information

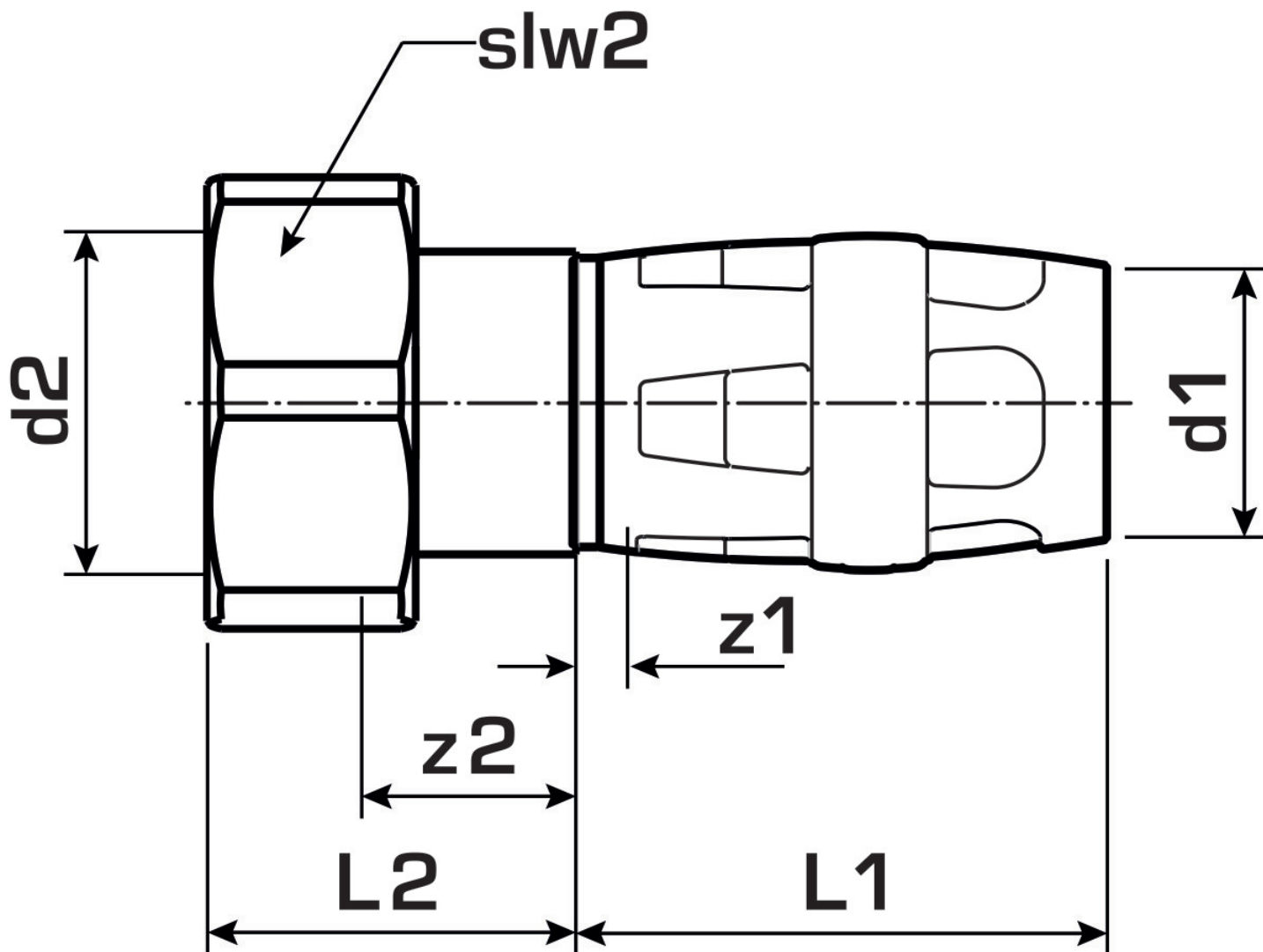
port 1	Plug-in
port 2	Female thread cylindrical BSPT-Rp (ISO 7-1)
design	Straight

## Technical properties

maximum working pressure at 20 ° C	10 bar
------------------------------------	--------

## Product information

VPE1	10,00 SA1
VPE2	100,00 KT1
weight	0,202 KGM
text	?KELOX-PROTEC union with female thread
INTRNR	74122000
main material group	KELOX
material group	KELOX-PROtec pushfittings
code	KMP455



Art. No	label	d2	d1 mm	L1 mm	L2 mm	z1 mm	z2 mm	slw1 mm
73203E05	25x1"	3/4" (20)	25	42,5	25,5	3	18	30