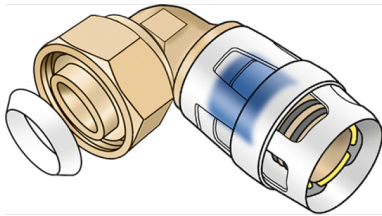


KELOX

KMP456K KELOX-PROTEC union 90° with female thread and wedge seal 20x1/2"

73207D02

Areas of application



Plug-in elbow screw fitting 90° with female thread for connecting to fittings, or threaded nipples made of dezincification-resistant brass (DZR), incl. push-on sleeve made of transparent polyamide, O rings, withdrawal barriers and protector ring as insertion locking device, incl. wedge seal

Approvals:



KE KELIT GmbH

A 4020 Linz, Ignaz-Mayer-Straße 17, Austria, Europe

PHONE +43 (0) 50 779 E-MAIL office@kekelit.com

www.kekelit.com

Specifications

Article information

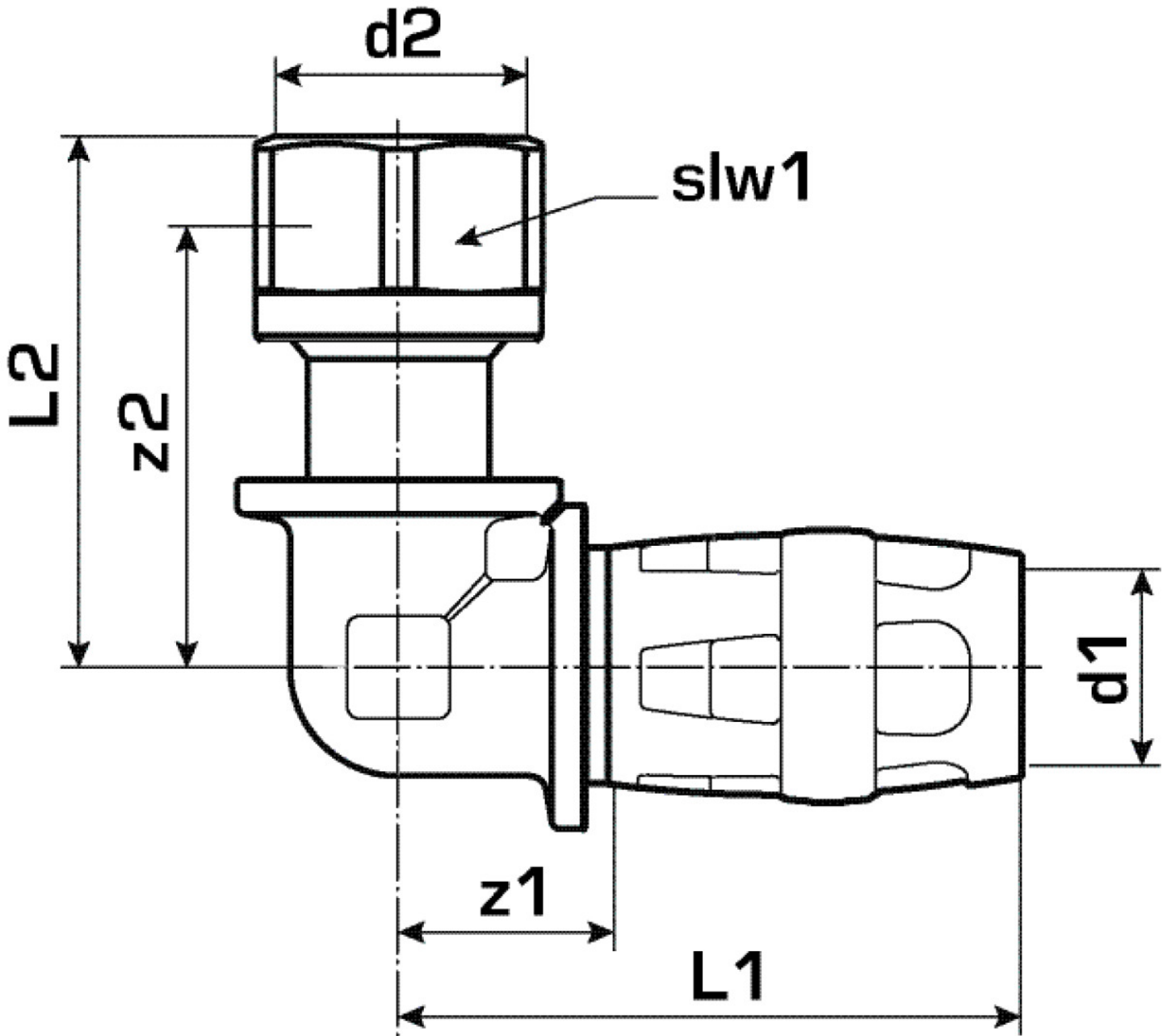
port 1	Plug-in
port 2	Female thread cylindrical BSPT-Rp (ISO 7-1)
design	Knee
angle	90 °

Technical properties

maximum working pressure at 20 ° C	10 bar
------------------------------------	--------

Product information

VPE1	10,00 SA1
VPE2	120,00 KT1
weight	0,112 KGM
text	KELOX-PROTEC union 90° with female thread and wedge seal
INTRNR	74122000
main material group	KELOX
material group	KELOX-PROtec pushfittings
code	KMP456K



Art. No	label	d2	d1 mm	L1 mm	L2 mm	z1 mm	z2 mm	slw1 mm
73207D02	20x1/2"	1/2" (15)	20	52	44	19	36,5	24