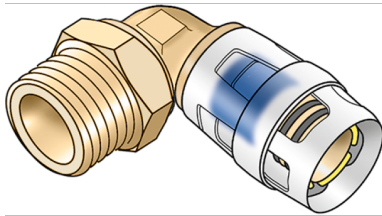


KELOX

KMP460 KELOX-PROTEC elbow adapter 90° male 32x1"

73212F05

Areas of application



?Plug-in adapter elbow with male thread for sealing, made of dezincification-resistant brass (DZR), incl. push-on sleeve made of transparent polyamide, O-rings, withdrawal barriers and protector ring as an insertion locking device

Approvals:



KE KELIT GmbH

A 4020 Linz, Ignaz-Mayer-Straße 17, Austria, Europe

PHONE +43 (0) 50 779 E-MAIL office@kekelit.com

www.kekelit.com

Specifications

Article information

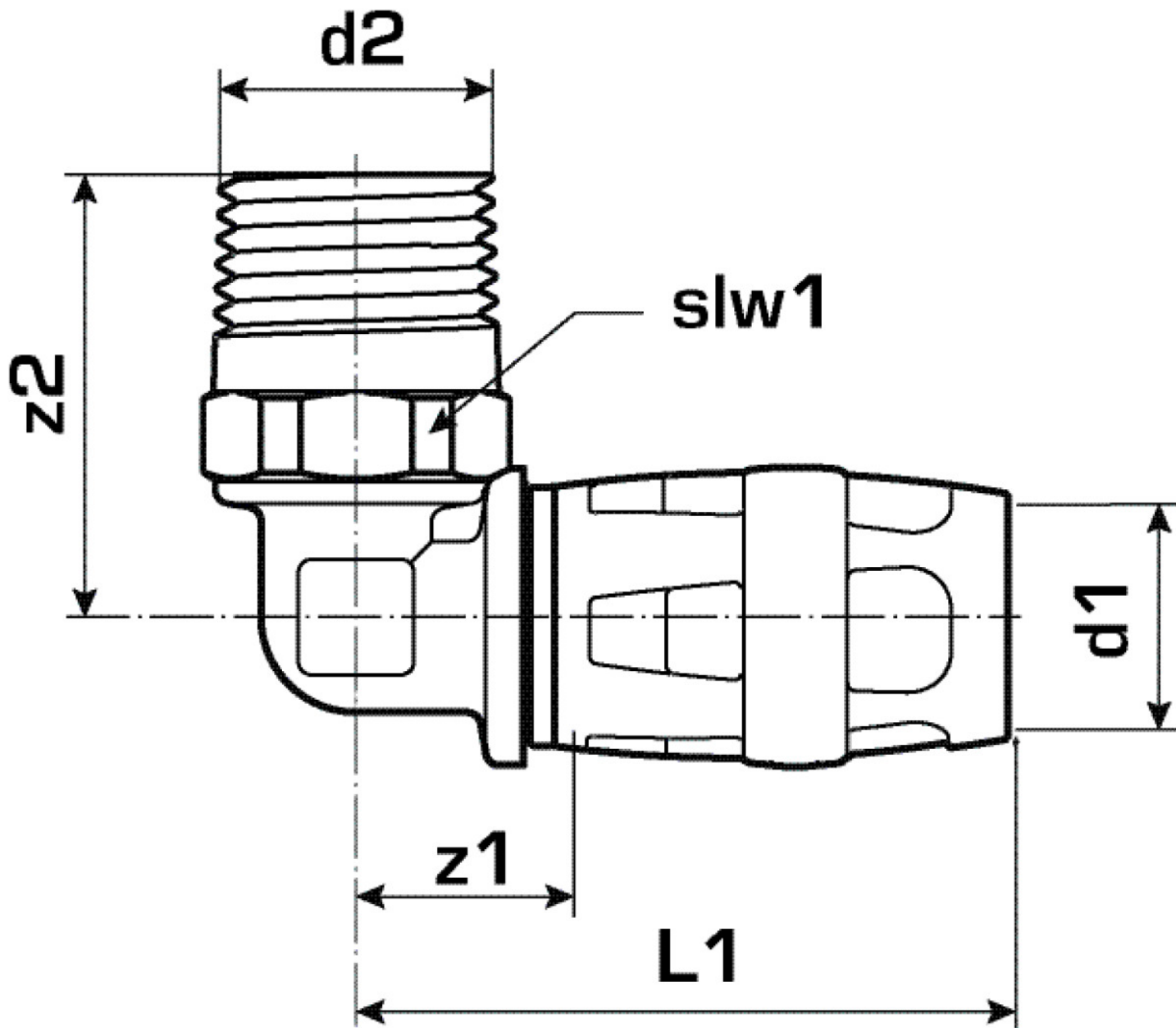
port 1	Plug-in
port 2	Male thread conical (NPT) conical (NPT)
design	Knee
angle	90 °

Technical properties

maximum working pressure at 20 ° C	10 bar
------------------------------------	--------

Product information

VPE1	6,00 SA1
VPE2	48,00 KT1
weight	0,215 KGM
text	KELOX-PROTEC elbow adapter 90° male
INTRNR	74122000
main material group	KELOX
material group	KELOX-PROtec pushfittings
code	KMP460



Art. No	label	d1 mm	L1 mm	L2 mm	z1 mm	slw1 mm
73212F05	32x1"	32	62	51	23	34