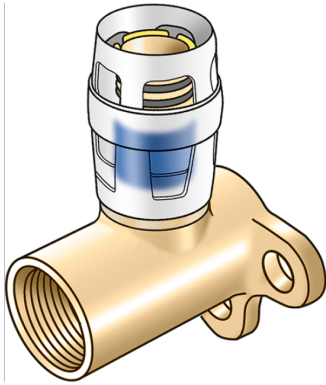


KELOX

KMP480 ?KELOX-PROTEC wall bracket fitting with female thread 20x1/2"

73250D02

Areas of application



Plug-in wall bracket fitting with female thread, made of dezincification-resistant brass (DZR), incl. push-on sleeve made of transparent polyamide, O-rings, withdrawal barriers and a protector ring as an insertion locking device

Overall height:

1/2" - 46mm

3/4" - 49mm

DO NOT screw in any threaded pipes and cast iron fittings!

Approvals:



Specifications

Article information

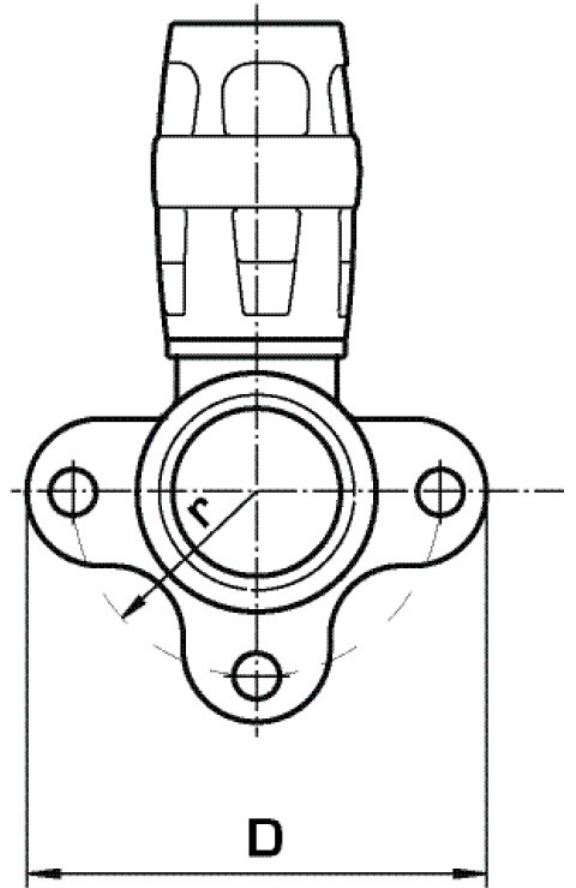
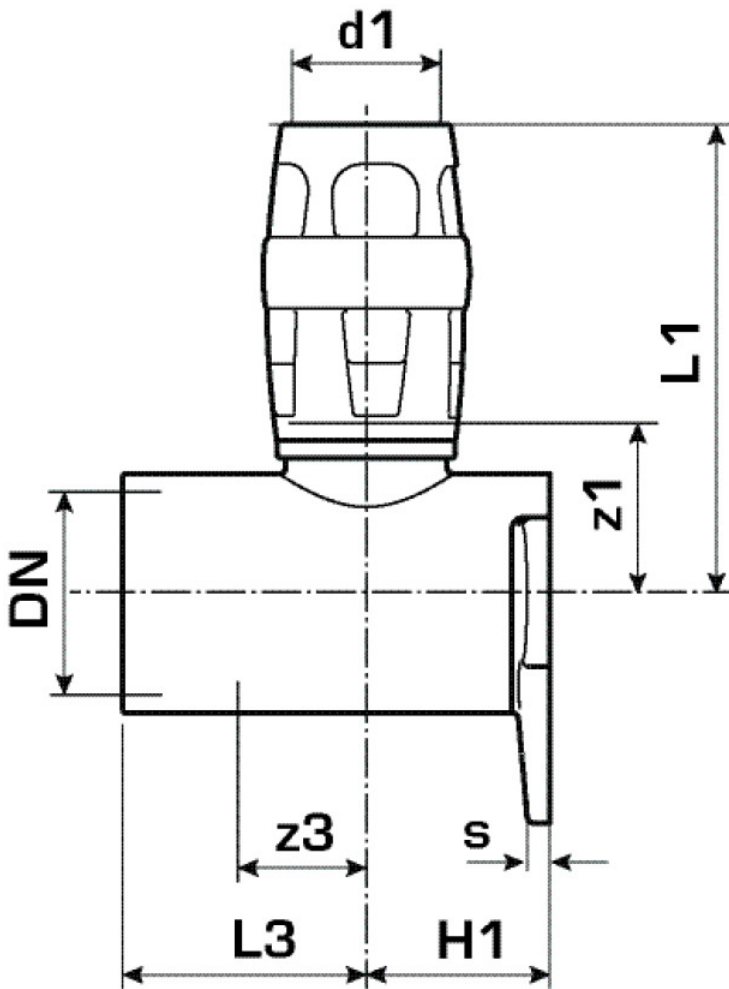
port 1	Plug-in
port 2	Female thread
execution	Miscellaneous
design	Continuously right-angled

Technical properties

maximum working pressure at 20 ° C	10 bar
------------------------------------	--------

Product information

VPE1	10,00 SA1
VPE2	80,00 KT1
weight	0,148 KGM
text	?KELOX-PROTEC wall bracket fitting with female thread
INTRNR	74122000
main material group	KELOX
material group	KELOX-PROtec pushfittings
code	KMP480



Art. No	label	d1 mm	d2	d1 mm	L1 mm	L3 mm	z1	z2	z1 mm	z3 mm
73250D02	20x1/2"	20	26.5	20	26,5	51	18	11	11	18