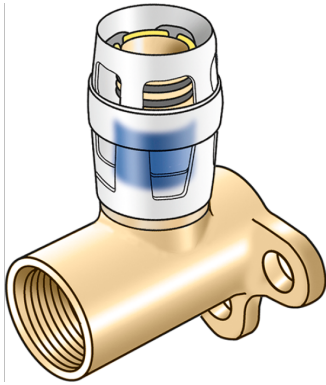


KELOX

KMP480 KELOX-PROTEC wall bracket fitting with female thread 25x3/4"

73250E04

Areas of application



Plug-in wall bracket fitting with female thread, made of dezincification-resistant brass (DZR), incl. push-on sleeve made of transparent polyamide, O-rings, withdrawal barriers and a protector ring as an insertion locking device

Overall height:

1/2" - 46mm

3/4" - 49mm

DO NOT screw in any threaded pipes and cast iron fittings!

Approvals:



Specifications

Article information

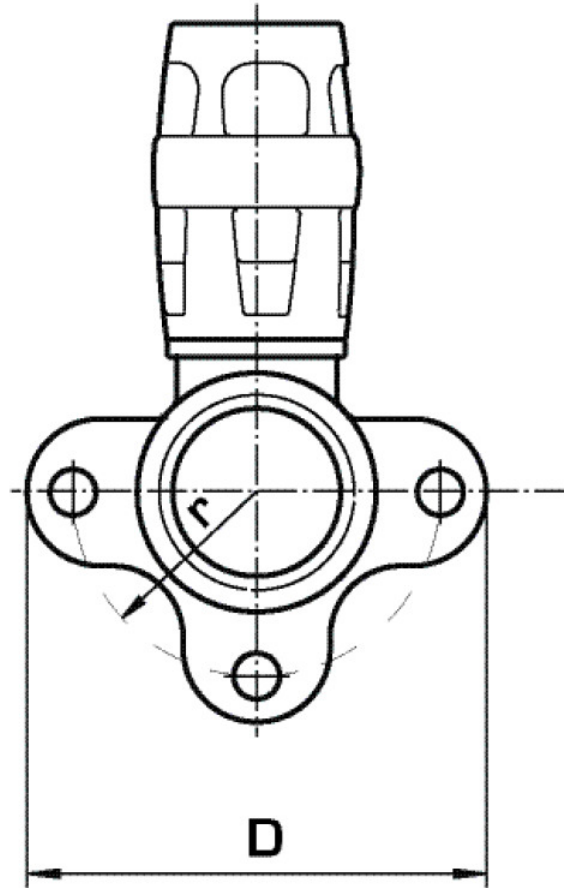
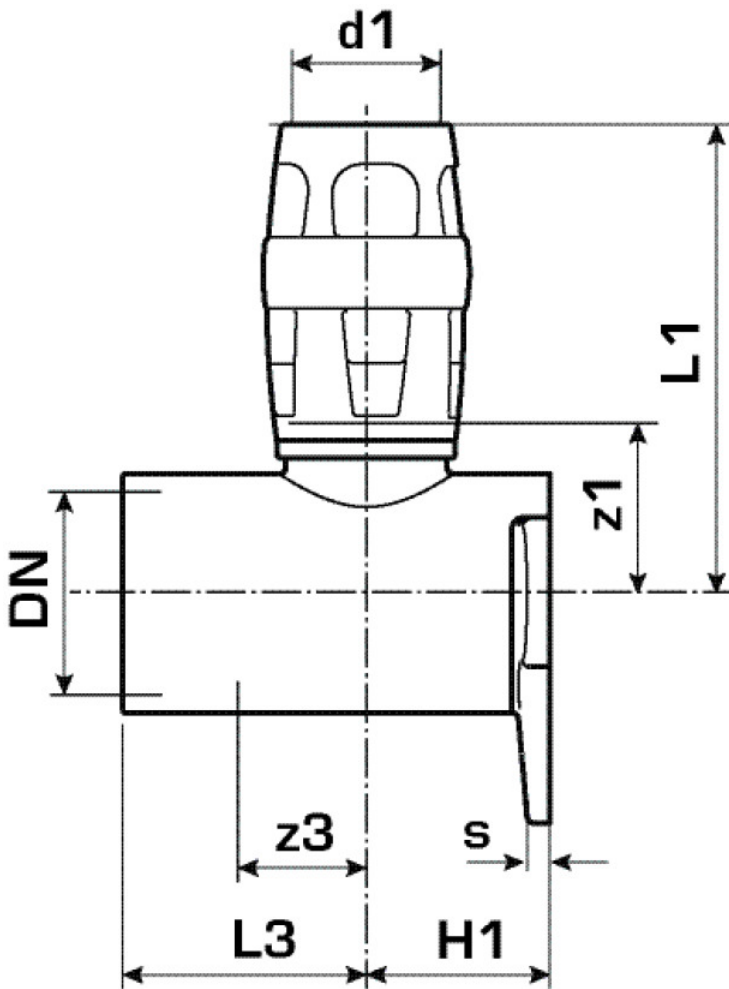
| | |
|-----------|---------------------------|
| port 1 | Plug-in |
| port 2 | Female thread |
| execution | Miscellaneous |
| design | Continuously right-angled |

Technical properties

| | |
|------------------------------------|--------|
| maximum working pressure at 20 ° C | 10 bar |
|------------------------------------|--------|

Product information

| | |
|---------------------|---|
| VPE1 | 10,00 SA1 |
| VPE2 | 60,00 KT1 |
| weight | 0,198 KGM |
| text | ?KELOX-PROTEC wall bracket fitting with female thread |
| INTRNR | 74122000 |
| main material group | KELOX |
| material group | KELOX-PROtec pushfittings |
| code | KMP480 |



| Art. No | label | d1 mm | d2 mm | d1 mm | L1 mm | L2 | L3 mm | z1 | z2 | z1 mm | z3 mm |
|---------|---------|-------|-------|-------|-------|----|-------|----|----|-------|-------|
| 73250E0 | 25x3/4" | 25 | 32 | 25 | 30 | 19 | 65 | 26 | 14 | 14 | 26 |