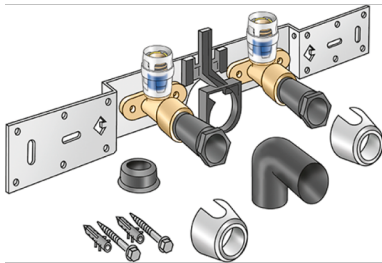


KELOX

KMP485SB KELOX-PROTEC connection set with elbow 20x1/2" 15cm

73268D02

Areas of application



With KMP480 wall bracket fitting, sound-insulated; stopper, metal mount, plugs and fastening elements, incl. elbow for connecting to trap d50mm and galvanised nipple d30
DO NOT screw in any threaded pipes and cast iron fittings!

Approvals:



KE KELIT GmbH

A 4020 Linz, Ignaz-Mayer-Straße 17, Austria, Europe

PHONE +43 (0) 50 779 E-MAIL office@kekelit.com

www.kekelit.com

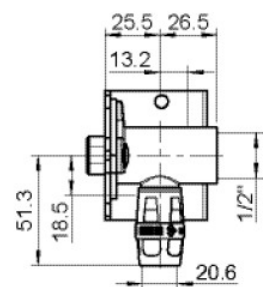
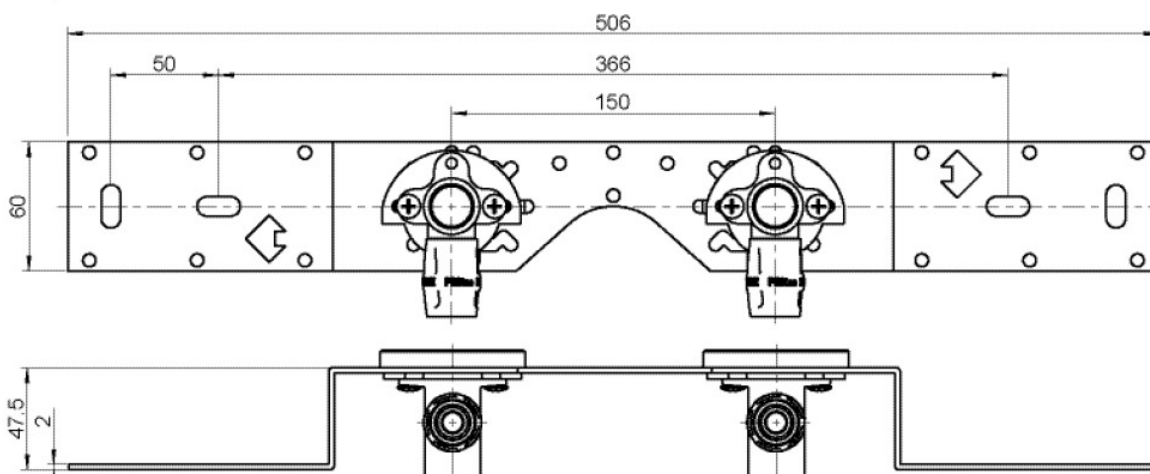
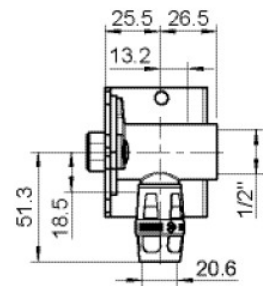
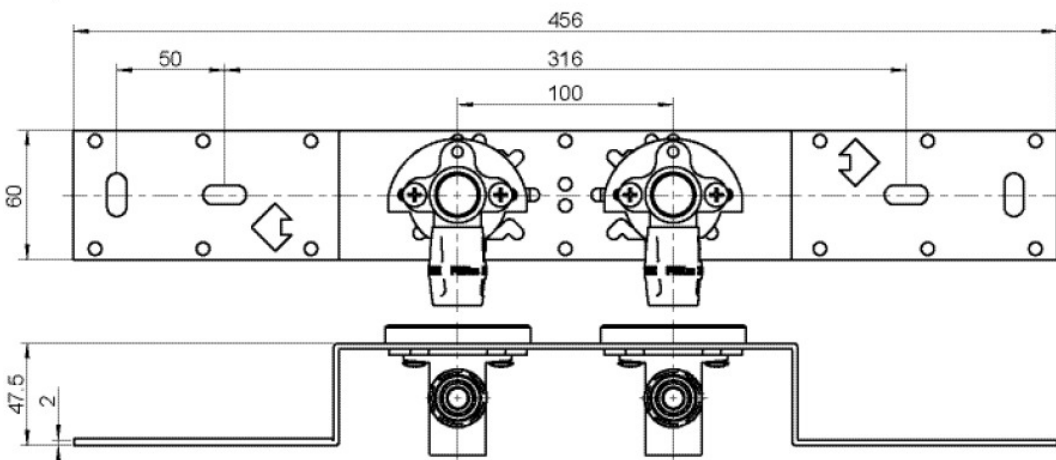
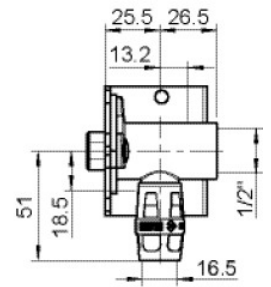
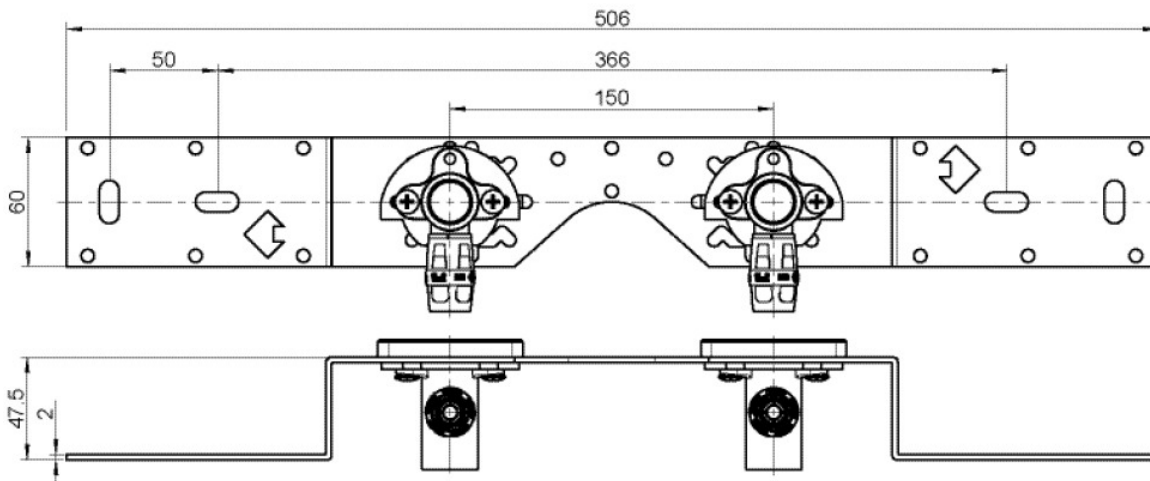
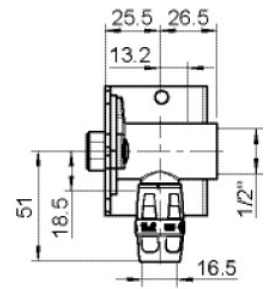
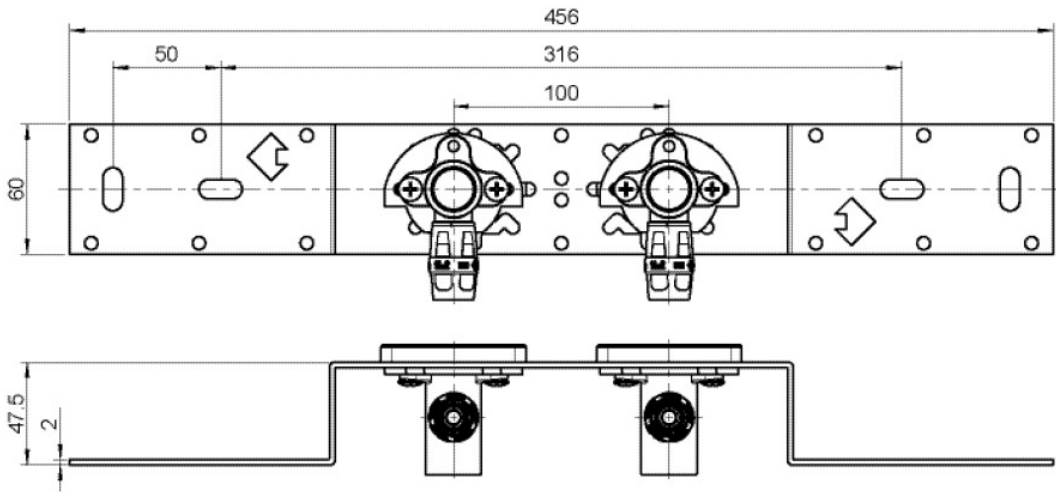
Specifications

Article information

port 1 Einsteck (Push-Fitting)

Product information

VPE1	1,00 KT1
VPE2	15,00 KT2
weight	1,100 KGM
text	KELOX-PROTEC connection set with elbow
INTRNR	74122000
main material group	KELOX
material group	KELOX-PROtec pushfittings
code	KMP485SB



KE KELIT GmbH

A 4020 Linz, Ignaz-Mayer-Straße 17, Austria, Europe

PHONE +43 (0) 50 779 E-MAIL office@kekelit.com

www.kekelit.com

Art. No	label
73268D02	20x1/2" 15cm



KE KELIT GmbH
A 4020 Linz, Ignaz-Mayer-Straße 17, Austria, Europe
PHONE +43 (0) 50 779 **E-MAIL** office@kekelit.com
www.kekelit.com