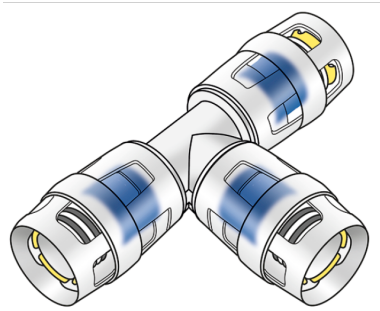


KELOX

KWP440 ?KELOX-PROTEC PPSU tee 25/16/25

73610EBE

Areas of application



?Push-in tee equal or reduced, made of PPSU, incl. support sleeves, O-rings, pull-out barriers and a protector ring as an insertion locking device

Approvals:



Specifications

Article information

port 1	Plug-in
port 2	Plug-in
port 3	Plug-in
execution	Tee piece
angle	90 °

Technical properties

maximum working pressure at 20 ° C	10 bar
------------------------------------	--------

Product information

VPE1	4,00 SA1
VPE2	48,00 KT1
weight	0,060 KGM
text	?KELOX-PROTEC PPSU tee
INTRNR	39174000
main material group	KELOX
material group	KELOX-PROtec-PPSU pushfittings
code	KWP440



Art. No	label	d1 mm	d2 mm	d3 mm	L1 mm	L2 mm	L3 mm	z1 mm	z2 mm	z3 mm
73610EBE	25/16/25	25	16	25	58	57	58	21	17	21