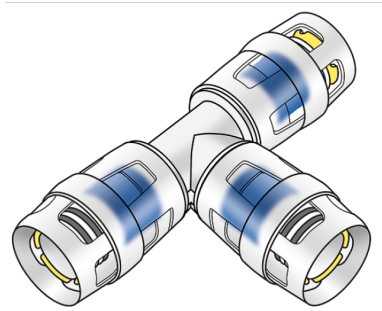


KELOX

KWP440 ?KELOX-PROTEC PPSU tee 25/20/25

73610EDE

Areas of application



?Push-in tee equal or reduced, made of PPSU, incl. support sleeves, O-rings, pull-out barriers and a protector ring as an insertion locking device

Approvals:



Specifications

Article information

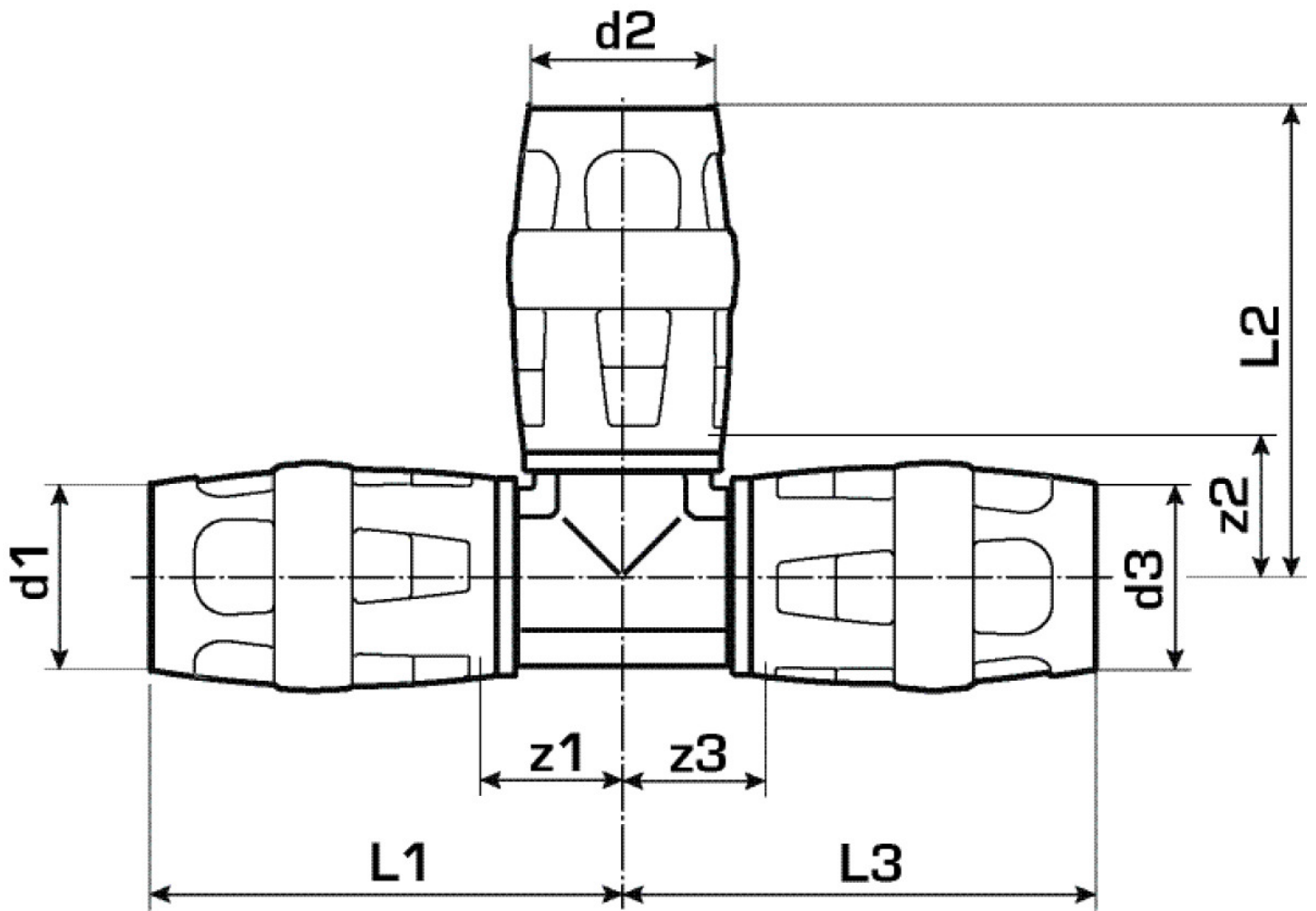
| | |
|-----------|-----------|
| port 1 | Plug-in |
| port 2 | Plug-in |
| port 3 | Plug-in |
| execution | Tee piece |
| angle | 90 ° |

Technical properties

| | |
|------------------------------------|--------|
| maximum working pressure at 20 ° C | 10 bar |
|------------------------------------|--------|

Product information

| | |
|---------------------|--------------------------------|
| VPE1 | 4,00 SA1 |
| VPE2 | 40,00 KT1 |
| weight | 0,063 KGM |
| text | ?KELOX-PROTEC PPSU tee |
| INTRNR | 39174000 |
| main material group | KELOX |
| material group | KELOX-PROtec-PPSU pushfittings |
| code | KWP440 |



| Art. No | label | d1 mm | d2 mm | d3 mm | L1 mm | L2 mm | L3 mm | z1 mm | z2 mm | z3 mm |
|----------|----------|-------|-------|-------|-------|-------|-------|-------|-------|-------|
| 73610EDe | 25/20/25 | 25 | 20 | 25 | 58 | 55 | 58 | 21 | 23 | 21 |